

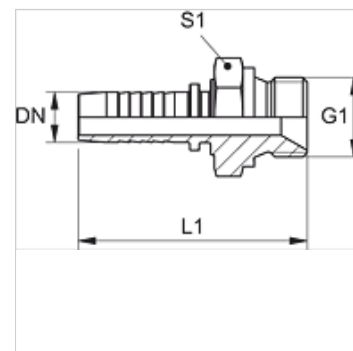
PN HB

Pritisna nazuvica, AGR

HANSA FLEX

Karakteristike

Područje primjene	Pritisna nazuvica za HD 100- do HD 400-, KP-, TE crijeva
Priključak 1	BSP vanjski navoj, cilindrični
Oblik brtve 1	60° unutarnji konus
Kratice	AGR
Norma	ISO 8434-6 BS 5200
Materijal	Čelik
Površinska zaštita	galvanski premaz



Napomena

Odgovarajući podnožak molimo da odaberete prema tipu crijeva.

Artikli

Naziv	DN	Veličina	Col	Radni tlak (bar)	G1	L1 (mm)	S1
PN 04 HB	5	3	3/16"	350,0	G 1/8" - 28	42,5	14
PN 04 HB 06	5	3	3/16"	350,0	G 1/4" - 19	46,0	19
PN 06 HB 02	6	4	1/4"	350,0	G 1/8" - 28	48,5	14
PN 06 HB	6	4	1/4"	400,0	G 1/4" - 19	52,0	19
PN 06 HB 10	6	4	1/4"	400,0	G 3/8" - 19	54,0	22
PN 06 HB 13	6	4	1/4"	350,0	G 1/2" - 14	57,5	27
PN 08 HB 06	8	5	5/16"	400,0	G 1/4" - 19	52,0	19
PN 08 HB 10	8	5	5/16"	400,0	G 3/8" - 19	54,0	22
PN 08 HB 13	8	5	5/16"	350,0	G 1/2" - 14	57,5	27
PN 10 HB 02	10	6	3/8"	350,0	G 1/8" - 28	50,0	17
PN 10 HB 06	10	6	3/8"	400,0	G 1/4" - 19	53,5	19
PN 10 HB	10	6	3/8"	400,0	G 3/8" - 19	55,5	22
PN 10 HB 13	10	6	3/8"	350,0	G 1/2" - 14	59,5	27
PN 13 HB 10	12	8	1/2"	350,0	G 3/8" - 19	56,5	22
PN 13 HB	12	8	1/2"	350,0	G 1/2" - 14	60,5	27
PN 13 HB 16	12	8	1/2"	350,0	G 5/8" - 14	62,5	30
PN 13 HB 20	12	8	1/2"	250,0	G 3/4" - 14	62,5	32
PN 16 HB 13	16	10	5/8"	350,0	G 1/2" - 14	65,0	27
PN 16 HB	16	10	5/8"	35,0	G 5/8" - 14	67,0	30
PN 16 HB 20	16	10	5/8"	315,0	G 3/4" - 14	67,0	32
PN 20 HB	19	12	3/4"	315,0	G 3/4" - 14	73,5	32
PN 20 HB 25	19	12	3/4"	250,0	G 1" - 11	78,5	41
PN 25 HB	25	16	1"	250,0	G 1" - 11	86,5	41
PN 25 HB 32	25	16	1"	250,0	G 1,1/4" - 11	87,5	50
PN 32 HB	31	20	1.1/4"	250,0	G 1,1/4" - 11	97,0	50
PN 32 HB 40	31	20	1.1/4"	210,0	G 1,1/2" - 11	100,0	55
PN 40 HB 32	38	24	1.1/2"	210,0	G 1,1/4" - 11	100,5	50
PN 40 HB	38	24	1.1/2"	210,0	G 1,1/2" - 11	103,5	55
PN 40 HB 50	38	24	1.1/2"	210,0	G 2" - 11	109,0	70
PN 50 HB	51	32	2"	210,0	G 2" - 11	124,5	70

Varijante proizvoda

PN HB VA Pritisna nazuvica, AGR, Oplemenjeni čelik