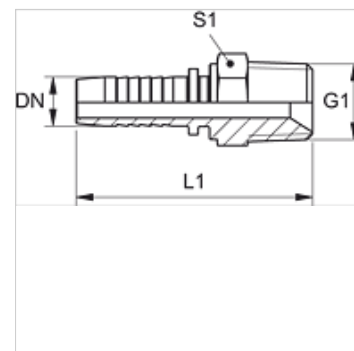


Karakteristike

Područje primjene	Pritisna nazuvica za HD 100- do HD 400-, KP-, TE crijeva
Priključak 1	NPT vanjski navoji
Oblik brtve 1	brtvljenje navoja, dodatni unutrašnji konus od 60°
Kratice	AGN
Materijal	Čelik
Površinska zaštita	galvanski premaz



Napomena

Odgovarajući podnožak molimo da odaberete prema tipu crijeva.

Artikli

Naziv	DN	Veličina	Col	Radni tlak (bar)	G1	L1 (mm)	S1
PN 04 HN	5	3	3/16"	350,0	1/8" -27 NPT	44,0	12
PN 04 HN 06	5	3	3/16"	350,0	1/4" - 18 NPT	47,5	14
PN 06 HN 02	6	4	1/4"	350,0	1/8" -27 NPT	50,0	12
PN 06 HN	6	4	1/4"	350,0	1/4" - 18 NPT	53,5	14
PN 06 HN 10	6	4	1/4"	275,0	3/8" - 18 NPT	54,0	19
PN 08 HN 06	8	5	5/16"	350,0	1/4" - 18 NPT	53,5	14
PN 08 HN 10	8	5	5/16"	275,0	3/8" - 18 NPT	54,0	19
PN 10 HN 06	10	6	3/8"	275,0	1/4" - 18 NPT	55,0	16
PN 10 HN	10	6	3/8"	275,0	3/8" - 18 NPT	56,5	19
PN 10 HN 13	10	6	3/8"	240,0	1/2" - 14 NPT	61,0	22
PN 13 HN 10	12	8	1/2"	240,0	3/8" - 18 NPT	57,5	19
PN 13 HN	12	8	1/2"	240,0	1/2" - 14 NPT	62,0	22
PN 13 HN 20	12	8	1/2"	210,0	3/4" - 14 NPT	64,5	27
PN 16 HN 13	16	10	5/8"	210,0	1/2" - 14 NPT	68,0	24
PN 16 HN 20	16	10	5/8"	210,0	3/4" - 14 NPT	68,0	27
PN 20 HN 13	19	12	3/4"	210,0	1/2" - 14 NPT	74,5	27
PN 20 HN	19	12	3/4"	210,0	3/4" - 14 NPT	76,5	27
PN 20 HN 25	19	12	3/4"	170,0	1" -11,5 NPT	80,5	36
PN 25 HN 20	25	16	1"	170,0	3/4" - 14 NPT	84,5	36
PN 25 HN	25	16	1"	170,0	1" -11,5 NPT	88,5	36
PN 25 HN 32	25	16	1"	150,0	1,1/4" - 11,5 NPT	91,5	46
PN 32 HN	31	20	1.1/4"	150,0	1,1/4" - 11,5 NPT	101,0	46
PN 40 HN	38	24	1.1/2"	140,0	1,1/2" - 11,5 NPT	105,5	50
PN 50 HN	51	32	2"	140,0	2" -11,5 NPT	127,5	65

Varijante proizvoda

PN HN VA Pritisna nazuvica, AGN, Oplemenjeni čelik