

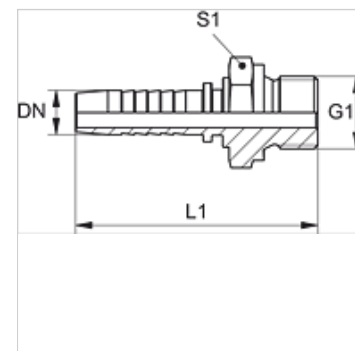
PN HR

Pritisna nazuvica, AGR plosnata

HANSA FLEX

Karakteristike

Područje primjene	Pritisna nazuvica za HD 100- do HD 400-, KP-, TE crijeva
Priključak 1	BSP vanjski navoj, cilindrični
Oblik brtve 1	plosnato brtvljenje
Kratika	AGR ravni
Materijal	Čelik
Površinska zaštita	galvanski premaz



Napomena

Odgovarajući podnožak molimo da odaberete prema tipu crijeva.

Artikli

Naziv	DN	Veličina	Col	G1	L1 (mm)	S1
PN 04 HR	5	3	3/16"	G 1/8" - 28	43,5	14
PN 06 HR	6	4	1/4"	G 1/4" - 19	51,5	19
PN 06 HR 10	6	4	1/4"	G 3/8" - 19	54,5	22
PN 08 HR 06	8	5	5/16"	G 1/4" - 19	52,0	19
PN 08 HR 10	8	5	5/16"	G 3/8" - 19	55,0	22
PN 10 HR	10	6	3/8"	G 3/8" - 19	56,0	22
PN 10 HR 13	10	6	3/8"	G 1/2" - 14	61,0	27
PN 13 HR 10	12	8	1/2"	G 3/8" - 19	57,0	22
PN 13 HR	12	8	1/2"	G 1/2" - 14	62,0	27
PN 13 HR 16	12	8	1/2"	G 5/8" - 14	63,0	30
PN 13 HR 20	12	8	1/2"	G 3/4" - 14	66,0	32
PN 16 HR	16	10	5/8"	G 5/8" - 14	67,5	30
PN 16 HR 20	16	10	5/8"	G 3/4" - 14	70,5	32
PN 16 HR 25	16	10	5/8"	G 1" - 11	77,0	41
PN 20 HR	19	12	3/4"	G 3/4" - 14	78,0	32
PN 20 HR 25	19	12	3/4"	G 1" - 11	84,5	41
PN 20 HR 32	19	12	3/4"	G 1,1/4" - 11	90,5	50
PN 25 HR	25	16	1"	G 1" - 11	92,0	41
PN 25 HR 32	25	16	1"	G 1,1/4" - 11	98,0	50
PN 32 HR	31	20	1.1/4"	G 1,1/4" - 11	107,0	50
PN 40 HR	38	24	1.1/2"	G 1,1/2" - 11	112,5	55
PN 50 HR	51	32	2"	G 2" - 11	134,5	70

Varijante proizvoda

PN HR VA Pritisna nazuvica, AGR plosnata, Oplemenjeni čelik