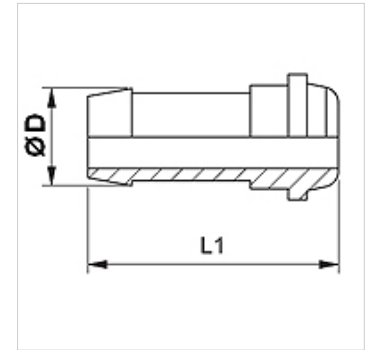


## Karakteristike

|                    |                               |
|--------------------|-------------------------------|
| Oblik brtve 1      | 24°/ 60° vanjski konus        |
| Norma              | slično DIN 3863               |
| Opseg isporuke     | Nazuvica bez preturane matice |
| Materijal          | Čelik                         |
| Površinska zaštita | galvanski premaz              |



## Napomena

Odgovarajući podnožak molimo da odaberete prema tipu crijeva.

## Artikli

| Naziv        | DN | Veličina | Col   | Ø D (mm) | za preturinu maticu metr. | za preturinu maticu BSP |
|--------------|----|----------|-------|----------|---------------------------|-------------------------|
| SIN 03 DK    | 3  | 2        | 1/8"  | 5,0      | SUEM02L                   | SUEM03R04               |
| SIN 04 DK    | 4  | 3        | 3/16" | 6,0      | SUEM04L                   | SUEM04R06               |
| SIN 04 DK 06 | 4  | 3        | 3/16" | 6,0      | SUEM06L                   | -                       |
| SIN 04 DK 08 | 4  | 3        | 3/16" | 6,0      | SUEM08L                   | -                       |
| SIN 06 DK    | 6  | 4        | 1/4"  | 8,0      | SUEM06L                   | SUEM06R                 |
| SIN 06 DK 08 | 6  | 4        | 1/4"  | 8,0      | SUEM08L                   | -                       |
| SIN 08 DK    | 8  | 5        | 5/16" | 10,0     | SUEM08L                   | SUEM08R10               |
| SIN 08 DK 10 | 8  | 5        | 5/16" | 10,0     | SUEM10L                   | -                       |
| SIN 10 DK    | 10 | 6        | 3/8"  | 12,0     | SUEM10L                   | -                       |
| SIN 13 DK    | 12 | 8        | 1/2"  | 15,0     | SUEM13L                   | -                       |
| SIN 13 DK 16 | 12 | 8        | 1/2"  | 15,0     | SUEM16L                   | -                       |
| SIN 16 DK    | 16 | 10       | 5/8"  | 18,0     | SUEM16L                   | -                       |