

# SIN HB

Pritisna nazuvica, AGR

**HANSA FLEX**

## Karakteristike

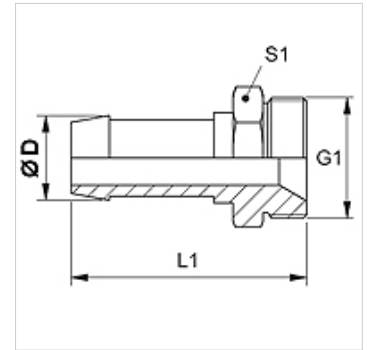
**Priključak 1** BSP vanjski navoj, cilindrični

**Oblik brtve 1** 60° unutarjni konus

**Kratika** AGR

**Norma** ISO 228-1  
ISO 8434-6  
BS 5200

**Materijal** Mjed



## Napomena

Odgovarajući podnožak molimo da odaberete prema tipu crijeva.

## Artikl

Naziv	DN	Veličina	Col	Ø D (mm)	G1
SIN 03 HB 04	3	2	1/8"	5,0	G 1/8" - 28
SIN 04 HB 06	4	3	3/16"	6,0	G 1/4" - 19
SIN 06 HB	6	4	1/4"	8,0	G 1/4" - 19
SIN 06 HB 10	6	4	1/4"	8,0	G 3/8" - 19
SIN 08 HB 10	8	5	5/16"	10,0	G 3/8" - 19
SIN 10 HB 13	10	6	3/8"	12,0	G 1/2" -14
SIN 13 HB	12	8	1/2"	15,0	G 1/2" -14