

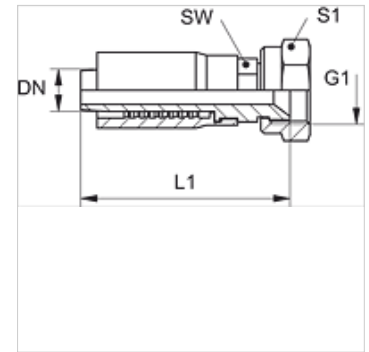
# TRP AJ

Pritisna armatura, DKJ

**HANSA FLEX**

## Karakteristike

Priključak 1	UN/UNF navoji matice
Oblik brtve 1	74° unutarnji konus
Kratika	DKJ
Norma	ISO 8434- 2
Opseg isporuke	Pritisna nazuvica + pritisni podnožak
Materijal	Čelik
Površinska zaštita	galvanski premaz



## Artikli

Naziv	DN	Veličina	Col	G1	L1 (mm)	SW (mm)	S1
TRP 04 AJ 06	5	3	3/16"	7/16" -20 UNF	55,0	14	17
TRP 06 AJ	6	4	1/4"	7/16" -20 UNF	61,0	14	17
TRP 06 AJ 08	6	4	1/4"	1/2" -20 UNF	61,0	14	17
TRP 06 AJ 10	6	4	1/4"	9/16" - 18 UNF	61,0	14	19
TRP 08 AJ 10	8	5	5/16"	9/16" - 18 UNF	64,0	17	19
TRP 10 AJ	10	6	3/8"	9/16" - 18 UNF	69,0	19	19