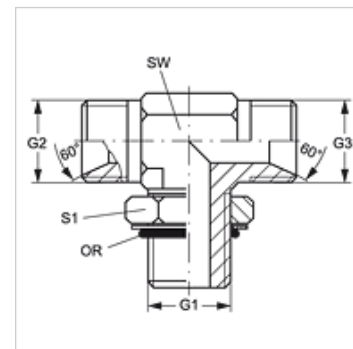


T HRO HB

Uvrtni nastavak, T oblik

Karakteristike

Priključak 1	BSP vanjski navoj, cilindrični
Oblik brtve 1	G oblik
Priključak 2 + 3	BSP vanjski navoj, cilindrični
Oblik brtve 2 + 3	60° unutarnji konus
Izvedba	Uvrtni nastavak, podesiv po smjeru
Oblik izrade	T oblik
Materijal	Čelik
Površinska zaštita	galvanski premaz



Artikli

Naziv	G1	G2 + G3	SW (mm)	S1	OR
T HRO 02 HB	G 1/8" - 28	G 1/8" - 28	11	16	7,65 x 1,78
T HRO 04 HB 02	G 1/4" - 19	G 1/8" - 28	14	20	10,78 x 2,62
T HRO 04 HB	G 1/4" - 19	G 1/4" - 19	19	20	10,78 x 2,62
T HRO 04 HB 06	G 1/4" - 19	G 3/8" - 19	14	20	10,78 x 2,62
T HRO 06 HB 04	G 3/8" - 19	G 1/4" - 19	19	24	13,94 x 2,62
T HRO 06 HB	G 3/8" - 19	G 3/8" - 19	19	24	13,94 x 2,62
T HRO 06 HB 08	G 3/8" - 19	G 1/2" -14	19	24	13,94 x 2,62
T HRO 08 HB 06	G 1/2" -14	G 3/8" - 19	22	28	17,86 x 2,62
T HRO 08 HB	G 1/2" -14	G 1/2" -14	22	28	17,86 x 2,62
T HRO 08 HB 10	G 1/2" -14	G 5/8" -14	22	28	17,86 x 2,62
T HRO 08 HB 12	G 1/2" -14	G 3/4" -14	27	28	17,86 x 2,62
T HRO 12 HB 08	G 3/4" -14	G 1/2" -14	27	35	23,47 x 2,62
T HRO 12 HB	G 3/4" -14	G 3/4" -14	27	35	23,47 x 2,62
T HRO 12 HB 16	G 3/4" -14	G 1" -11	33	35	23,47 x 2,62
T HRO 16 HB 12	G 1" -11	G 3/4" -14	33	43	29,74 x 3,53
T HRO 16 HB	G 1" -11	G 1" -11	33	43	29,74 x 3,53
T HRO 20 HB 16	G 1,1/4" - 11	G 1" -11	41	52	37,69 x 3,53
T HRO 20 HB	G 1,1/4" - 11	G 1,1/4" - 11	41	52	37,69 x 3,53
T HRO 24 HB	G 1,1/2" - 11	G 1,1/2" - 11	50	58	44,04 x 3,53

SW, S1, S2 = širina kluča