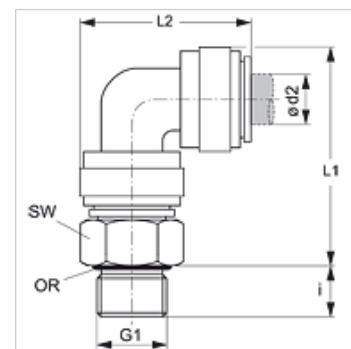


# JG 09 (zyl.)

Uvrtna spojnica, kut 90°

## Karakteristike

<b>Područje primjene</b>	Primjene u pneumatici, vakuumskoj tehnici i prehrambenoj ind.
<b>Priključak 1</b>	BSP vanjski navoj, cilindrični
<b>Oblik brtve 1</b>	oklopljeni O-prsten na uvrtanom nastavku
<b>Priključak 2</b>	Utični kolčak
<b>Oblik izrade</b>	Kutevi 90°
<b>Izvedba</b>	Uvrtna spojnica
<b>Boja</b>	crna
<b>Mediji</b>	zrak tekući mediji inertni plinovi npr. N <sub>2</sub> /CO <sub>2</sub>
<b>Materijal</b>	Tijelo od acetal-kopolimera; O prsten od nitrila



## Artikli

Naziv	Ø d2 (mm)	G1	i (mm)	L1 (mm)	L2 (mm)	SW (mm)
JG 09 04 11 E	4	G 1/8" - 28	5,5	30,0	24,0	14
JG 09 04 12 E	4	G 1/4" - 19	8,0	31,0	24,0	17
JG 09 05 11 E	5	G 1/8" - 28	5,5	30,0	24,0	14
JG 09 05 12 E	5	G 1/4" - 19	8,0	31,0	24,0	17
JG 09 06 11 E	6	G 1/8" - 28	5,5	34,0	27,0	15
JG 09 06 12 E	6	G 1/4" - 19	8,0	35,0	27,0	17
JG 09 08 11 E	8	G 1/8" - 28	5,5	36,0	30,0	17
JG 09 08 12 E	8	G 1/4" - 19	8,0	37,0	30,0	17
JG 09 08 13 E	8	G 3/8" - 19	9,5	37,0	30,0	22
JG 09 10 12 E	10	G 1/4" - 19	8,0	42,0	35,0	20
JG 09 10 13 E	10	G 3/8" - 19	9,5	42,0	35,0	22
JG 09 10 14 E	10	G 1/2" - 14	12,5	42,0	35,0	27
JG 09 12 13 E	12	G 3/8" - 19	9,5	50,0	44,0	26
JG 09 12 14 E	12	G 1/2" - 14	12,5	50,0	44,0	30
JG 09 15 13 E	15	G 3/8" - 19	11,3	65,5	50,6	22
JG 09 15 14 E	15	G 1/2" - 14	14,5	65,5	50,6	27
JG 09 18 14 E	18	G 1/2" - 14	14,5	77,0	59,7	27
JG 09 22 14 E	22	G 1/2" - 14	14,5	82,0	66,0	27
JG 09 22 16 E	22	G 3/4" - 14	17,0	83,6	66,0	37

dimenzije koje nedostaju na upit

## Pribor

<b>JG 18 S</b>	Sigurnosni prsten za utičnu spojnicu
<b>JG 19 E</b>	Zaštitna kapica za utičnu spojnicu