

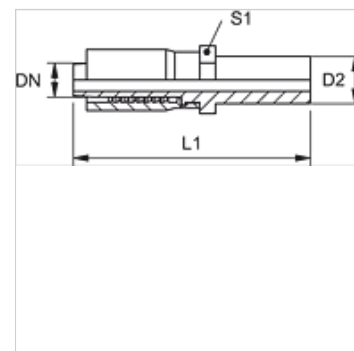
TRP FS

Pritisna armatura, BES

HANSA FLEX

Karakteristike

Priključak 1	Nastavci cijevi
Oblik brtve 1	Spoj za narezni prsten
Kratice	BES
Norma	ISO 8434-1
Opseg isporuke	Pritisna nazuvica + pritisni podnožak
Materijal	Čelik
Površinska zaštita	galvanski premaz



Napomena

Narezni prsten potrebno je završno montirati na kaljenom nastavku za predmontažu (VOM...).

Artikli

Naziv	DN	Veličina	Col	Seriya	D2 (mm)	L1 (mm)	SW (mm)
TRP 04 FS	5	3	3/16"	S	8,0	59,0	14
TRP 06 FS	6	4	1/4"	S	10,0	67,0	14
TRP 06 FS 04	6	4	1/4"	S	8,0	65,0	14
TRP 06 FS 08	6	4	1/4"	S	12,0	68,0	17
TRP 08 FS	8	5	5/16"	S	12,0	71,0	17
TRP 08 FS 06	8	5	5/16"	S	10,0	70,0	17
TRP 10 FS	10	6	3/8"	S	14,0	79,0	19
TRP 10 FS 06	10	6	3/8"	S	10,0	75,0	19
TRP 10 FS 08	10	6	3/8"	S	12,0	77,0	19
TRP 13 FS	12	8	1/2"	S	16,0	87,0	24