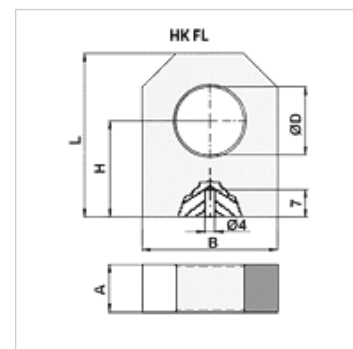


HK FL

Zakretni ležaj FL

Karakteristike

Materijal Čelik S355J0 (Fe510C)



Artikli

Naziv	A (mm)	B (mm)	H (mm)	L (mm)	Ø D (mm)	Težina (kg)
HK FL 16	15,0	35,0	34,0	50,0	16,20	0,19
HK FL 20	20,0	40,0	40,0	60,0	20,25	0,38
HK FL 25	25,0	50,0	45,0	65,0	25,25	0,58
HK FL 30	30,0	60,0	50,0	75,0	30,25	0,79
HK FL 35	35,0	70,0	55,0	85,0	35,25	0,98
HK FL 40	40,0	80,0	60,0	100,0	40,25	1,22