

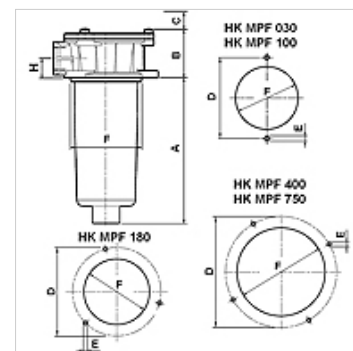
# HK MPF GEH

## Kućište za povratni filtar MPF

### Karakteristike

**Izvedba** s prenosnim ventilom 1,75 bara, bez indikatora prijavštine bez filtarskog elementa

**Radni tlak** maks. 8 bara



### Napomena

Mjera "C": potreban slobodan prostor za zamjenu filtarskog elementa

### Opis

Povratni filtar za ugradnju u poklopac spremnika, mjere za raspored provrta vidi na grafici.

Connector for clogging indicator G 1/8" closed with bolt

### Napomene uz narudžbu

Filtarski element nije uključen! Molimo da ga naručite posebno.

### Artikli

| Naziv           | Priključak voda | A<br>(mm) | B<br>(mm) | C<br>(mm) | D<br>(mm) | E<br>(mm) | F<br>(mm) | H<br>(mm) | Težina<br>(kg) |
|-----------------|-----------------|-----------|-----------|-----------|-----------|-----------|-----------|-----------|----------------|
| HK MPF 030 1 G1 | G 1/2"          | 86        | 56,0      | 100       | 90        | 7,0       | 66,0      | 22,0      | 0,28           |
| HK MPF 100 1 G1 | G 1/2"          | 100       | 80,0      | 120       | 115       | 8,5       | 88,0      | 28,0      | 0,58           |
| HK MPF 100 1 G2 | G 3/4"          | 100       | 80,0      | 120       | 115       | 8,5       | 88,0      | 28,0      | 0,58           |
| HK MPF 100 1 G3 | G 1"            | 100       | 80,0      | 120       | 115       | 8,5       | 88,0      | 28,0      | 0,58           |
| HK MPF 100 2 G2 | G 3/4"          | 150       | 80,0      | 170       | 115       | 8,5       | 88,0      | 28,0      | 0,60           |
| HK MPF 100 2 G3 | G 1"            | 150       | 80,0      | 170       | 115       | 8,5       | 88,0      | 28,0      | 0,60           |
| HK MPF 100 3 G2 | G 3/4"          | 225       | 80,0      | 250       | 115       | 8,5       | 88,0      | 28,0      | 0,64           |
| HK MPF 100 3 G3 | G 1"            | 225       | 80,0      | 250       | 115       | 8,5       | 88,0      | 28,0      | 0,64           |
| HK MPF 180 1 G1 | G 1.1/4"        | 231       | 89,0      | 250       | 175       | 10,7      | 129,0     | 35,0      | 1,41           |
| HK MPF 400 1 G1 | G 1.1/4"        | 178       | 98,5      | 200       | 220       | 11,5      | 173,5     | 38,5      | 2,87           |
| HK MPF 400 2 G2 | G 1.1/2"        | 238       | 98,5      | 250       | 220       | 11,5      | 173,5     | 38,5      | 2,74           |
| HK MPF 400 2 G3 | G 2"            | 238       | 98,5      | 250       | 220       | 11,5      | 173,5     | 38,5      | 2,74           |
| HK MPF 400 3 G3 | G 2"            | 288       | 98,5      | 310       | 220       | 11,5      | 173,5     | 38,5      | 2,86           |
| HK MPF 750 1 G1 | G 2"            | 430       | 105,0     | 450       | 220       | 11,5      | 173,5     | 48,5      | 4,36           |

### Pribor

HK MPF TE Produžna cijev za povratni filtar MPF

HK VA MAN Clogging indicator pressure gauge

### Rezervni dijelovi

HK MF P10 / A10 Filtarski element za povratni filtar MPF