

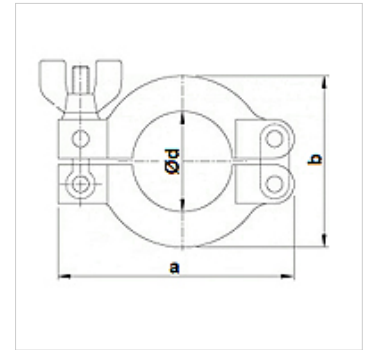
# KLEMMSCHEL

Clamp, Aluminium

**HANSA FLEX**

## Karakteristike

<b>Primjena</b>	Clamping components for small flange connections
<b>Izvedba</b>	Clamp aluminium
<b>Norma</b>	DIN 28403 ISO 2861
<b>Materijal</b>	aluminij
<b>Temperaturno područje</b>	Aluminij od -156 °C do 150 °C



## Napomena

Područje tlaka od 10–7 mbar do 2,5 bar

## Napomene uz narudžbu

Ostale izvedbe na zahtjev

## Artikli

Naziv	Širina (mm)	a (mm)	b (mm)	Ø d (mm)
KLEMMSCHEL 010/16	17,0	63,0	45,0	22,0
KLEMMSCHEL 020/25	17,0	73,0	52,0	32,0
KLEMMSCHEL 032/40	17,0	93,0	70,0	47,0
KLEMMSCHEL 050	22,0	114,0	95,0	62,0