

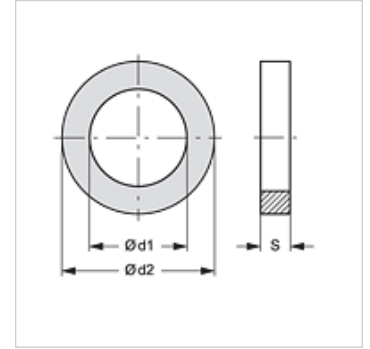
# KML M DISA EP

Brtva za "camlock" ženski dio EPDM

**HANSA FLEX**

## Karakteristike

Materijal EPDM



## Artikli

| Naziv               | za veličine spojki | Ø d1<br>(mm) | Ø d2<br>(mm) | S<br>(mm) |
|---------------------|--------------------|--------------|--------------|-----------|
| KML M DISA 3/4 EP   | 3/4"               | 22,22        | 34,93        | 5,54      |
| KML M DISA 1 EP     | 1"                 | 26,99        | 39,69        | 6,35      |
| KML M DISA 1.1/4 EP | 1.1/4"             | 34,53        | 49,21        | 6,35      |
| KML M DISA 1.1/2 EP | 1.1/2"             | 41,27        | 55,56        | 6,35      |
| KML M DISA 2 EP     | 2"                 | 50,80        | 66,67        | 6,35      |
| KML M DISA 2.1/2 EP | 2.1/2"             | 60,32        | 79,37        | 6,35      |
| KML M DISA 3 EP     | 3"                 | 76,20        | 94,45        | 6,35      |
| KML M DISA 4 EP     | 4"                 | 101,60       | 123,82       | 6,35      |

## Varijante proizvoda

|                |  |
|----------------|--|
| KML M DISA NBR | Brtva za "camlock" ženski dio NBR, NBR                       |
| KML M DISA SIL | Brtva za "camlock" ženski dio, silikon, Silikon              |
| KML M DISA V   | Brtva za "camlock" ženski dio FKM (FPM), FKM SH 90 ( Viton ) |