

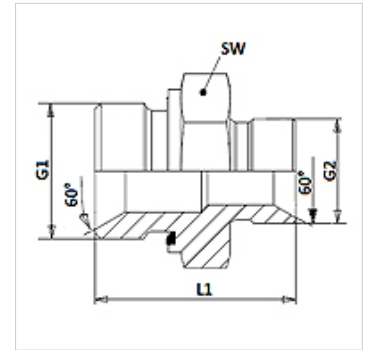
GE HRED HB

Uvrtni nastavci

HANSA FLEX

Karakteristike

Priključak 1	BSP vanjski navoj, cilindrični
Oblik brtve 1	Profil E
Priključak 2	BSP vanjski navoj, cilindrični
Oblik brtve 2	60° unutarnji konus
Izvedba	Uvrtni nastavci
Oblik izrade	ravno
Materijal	Čelik
Površinska zaštita	galvanski premaz



Napomena

Mogu se upotrebljavati kao uvrtni nastavci s ED ili kao spojnice s unutarnjim konusom od 60°.

Artikli

Naziv	G1	G2	L1 (mm)	SW (mm)
GE HRED 02 HB	G 1/8" - 28	G 1/8" - 28	24,0	14
GE HRED 04 HB 02	G 1/4" - 19	G 1/8" - 28	28,5	19
GE HRED 04 HB	G 1/4" - 19	G 1/4" - 19	33,0	19
GE HRED 04 HB 06	G 1/4" - 19	G 3/8" - 19	34,5	19
GE HRED 06 HB 04	G 3/8" - 19	G 1/4" - 19	33,5	22
GE HRED 06 HB	G 3/8" - 19	G 3/8" - 19	35,0	22
GE HRED 06 HB 08	G 3/8" - 19	G 1/2" - 14	38,5	22
GE HRED 08 HB 06	G 1/2" - 14	G 3/8" - 19	37,5	27
GE HRED 08 HB	G 1/2" - 14	G 1/2" - 14	41,0	27
GE HRED 08 HB 10	G 1/2" - 14	G 5/8" - 14	43,0	27
GE HRED 08 HB 12	G 1/2" - 14	G 3/4" - 14	45,0	32
GE HRED 12 HB 08	G 3/4" - 14	G 1/2" - 14	43,0	32
GE HRED 12 HB	G 3/4" - 14	G 3/4" - 14	47,0	32
GE HRED 12 HB 16	G 3/4" - 14	G 1" - 11	51,0	32
GE HRED 16 HB 12	G 1" - 11	G 3/4" - 14	49,0	41
GE HRED 16 HB	G 1" - 11	G 1" - 11	53,0	41
GE HRED 20 HB 16	G 1,1/4" - 11	G 1" - 11	55,0	50
GE HRED 20 HB	G 1,1/4" - 11	G 1,1/4" - 11	58,0	50
GE HRED 24 HB	G 1,1/2" - 11	G 1,1/2" - 11	64,0	55

SW = širina ključa

Rezervni dijelovi

WD Meka brtva za ED vijčane spojeve