

# SAE O-RING V

SAE-O prsten FKM

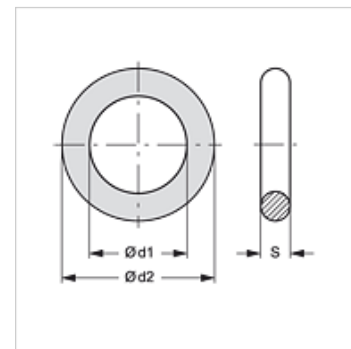
**HANSA FLEX**

## Karakteristike

Temperatura min. -15 °C

Temperatura max. 200 °C

Materijal FKM SH 90 ( Viton )



## Artikl

Naziv	Veličina prirubnice	Ø d1 (mm)	S (mm)
SAE O-RING 1/2 V	1/2"	18,64	3,53
SAE O-RING 3/4 V	3/4"	24,99	3,53
SAE O-RING 1 V	1"	32,92	3,53
SAE O-RING 1 1/4 V	1.1/4"	37,69	3,53
SAE O-RING 1 1/2 V	1.1/2"	47,22	3,53
SAE O-RING 2 V	2"	56,74	3,53
SAE O-RING 2 1/2 V	2.1/2"	69,44	3,53
SAE O-RING 3 V	3"	85,32	3,53
SAE O-RING 3 1/2 V	3.1/2"	98,02	3,53
SAE O-RING 4 V	4"	110,72	3,53

## Varijante proizvoda

SAE O-RING SAE O prsten, NBR SH 90