

FI HD E MP

Filtarski element za visokotlačni filtar MP

HANSA FLEX

Karakteristike

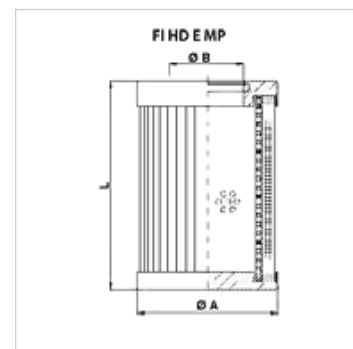
Posebna obilježja Δp max. 20 bar

Temperatura min. -25 °C

Temperatura max. 120 °C

Materijal Brtva: NBR

Radni tlak maks. 210 bar



Artikli

Naziv	Finoća filtra (µm)	Površina filtra (cm ²)	Qmax (L/min)	Filter material	L (mm)	Ø A (mm)	Ø B (mm)	Težina (kg)
FI HD E MP 0078 A10	10,0	300	80	anorganski	76,5	52,0	24,0	0,21
FI HD E MP 0086 A05	5,0	399	34	anorganski	86,0	45,0	25,4	0,20
FI HD E MP 0086 A10	10,0	399	60	anorganski	86,0	45,0	25,4	0,20
FI HD E MP 0114 A05	5,0	550	58	anorganski	114,0	45,0	25,4	0,30
FI HD E MP 0114 A10	10,0	550	95	anorganski	114,0	45,0	25,4	0,30
FI HD E MP 0210 A05	5,0	1069	100	anorganski	210,0	45,0	25,4	0,42
FI HD E MP 0210 A10	10,0	1069	100	anorganski	210,0	45,0	25,4	0,42
FI HD E MP 0234 A05	5,0	1672	200	anorganski	234,0	51,0	27,1	0,60
FI HD E MP 0234 A10	10,0	1672	200	anorganski	234,0	51,0	27,1	0,60
FI HD E MP 0236 A05	5,0	2943	350	anorganski	236,0	78,0	40,2	1,30
FI HD E MP 0236 A10	10,0	2943	350	anorganski	236,0	78,0	40,2	1,30

Qmax - maks. volumenska struja