

FI SP E HE

Filtarski element za spin-on filtar HE

HANSA FLEX

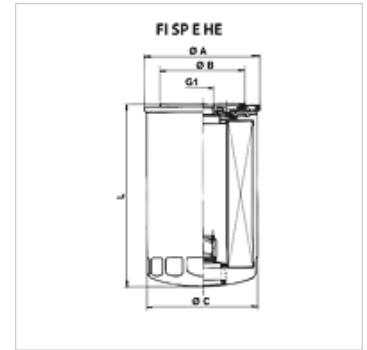
Karakteristike

Temperatura min. -25 °C

Temperatura max. 120 °C

Materijal Brtva: NBR

Radni tlak maks. 12 bara



Artiki

Naziv	Finoća filtra (μm)	Filter material	G1	\varnothing A (mm)	\varnothing B (mm)	\varnothing C (mm)	L (mm)	Težina (kg)
FI SP E HE 0260 P15	15,0	organic	1,1/8" - 12 UNF	110,0	93,0	107,9	260,9	1,18

Qmax - maks. volumenska struja