

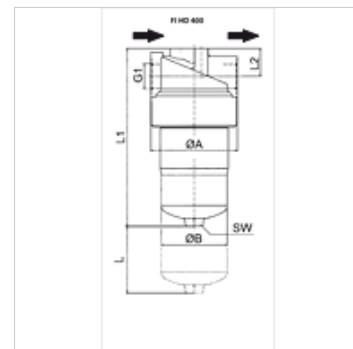
FI HD 400

Visokotlačni filtar 400 bar

HANSA FLEX

Karakteristike

Izvedba	bez prenosnog ventila, bez indikatora prljavštine
Temperatura min.	-10 °C
Temperatura max.	120 °C
Materijal	Filtarska glava od GGG
Radni tlak	do 400 bara
Opseg isporuke	uklj. filtarski element



Napomena

Dimenzija „L“: potreban slobodan prostor za zamjenu filtarskog elementa

Opis

Tlačni filtar za ugradnju u cjevovod

Diferencijalni tlak za filtarski element anorganski (A) maks. 210 bar

Priključak za indikator prljavštine M20 x 1,5, zatvoren vijkom

Artikli

Naziv	Finoća filtra (µm)	Površina filtra (cm ²)	G1	Q max. (L/min)	L (mm)	L1 (mm)	L2 (mm)	Ø A (mm)	Ø B (mm)	BD (bar)	SW (mm)	Težina (kg)
FI HD 040 A06 N 001 G12	6,0	470	G 1/2"	40	80,0	189,0	31,0	92,0	66,0	400	27	3,9
FI HD 050 A10 N 001 G12	10,0	470	G 1/2"	50	80,0	189,0	31,0	92,0	66,0	400	27	3,9
FI HD 070 A06 N 001 G34	6,0	900	G 3/4"	70	80,0	267,0	31,0	92,0	66,0	400	27	4,2
FI HD 090 A10 N 001 G34	10,0	900	G 3/4"	90	80,0	267,0	31,0	92,0	66,0	400	27	4,2
FI HD 085 A06 N 001 G34	6,0	1275	G 3/4"	85	80,0	343,0	31,0	92,0	66,0	400	27	5,7
FI HD 100 A10 N 001 G34	10,0	1275	G 3/4"	100	80,0	343,0	31,0	92,0	66,0	400	27	5,7
FI HD 170 A06 N 001 G114	6,0	2010	G 1.1/4"	170	110,0	284,0	46,0	143,5	109,0	400	30	9,4
FI HD 150 A10V N 010	10,0	2010	G 1.1/4"	195	110,0	284,0	46,0	143,5	109,0	400	30	6,0
FI HD 260 A06 N 001 G114	6,0	3800	G 1.1/4"	260	110,0	409,0	46,0	143,5	109,0	400	30	16,5
FI HD 300 A10 N 001 G114	10,0	3800	G 1.1/4"	300	110,0	409,0	46,0	143,5	109,0	400	30	16,5

Qmax - maks. volumenska struja – A10 s anorganskim filtrom (10 µm), apsolutno filtriranje – P10 papirnati filtar (10 µm), nominalno filtriranje – BD = radni tlak

Pribor

HK VA PIS M Indikator prljavštine, mehanički

HK VA PIS EL Indikator prljavštine, električni

Rezervni dijelovi

FI HD E MA Filtarski element za visokotlačni filtar MA

FI HD GEH Kućište za visokotlačni filtar 400 bar