

FI SP R 1

Spin-on povratni filter, tip 1

HANSA FLEX

Karakteristike

Izvedba s prenosnim ventilom 1,75 bara

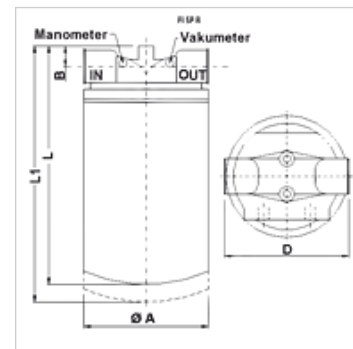
Temperatura min. -25 °C

Temperatura max. 110 °C

Materijal Filter head in aluminum
Brtva: NBR

Radni tlak maks. 12 bara

Finoća filtra 10 µm



Napomena

For utilization as a suction filter a suction filter head FI SP S FK *** must be used.

Opis

Spin-on filter za ugradnju u cjevovod

Diferencijalni tlak za filtarski element od papira (P) maks. 4 bar

Diferencijalni tlak za filtarski element anorganski (A) maks. 4 bar

Dizajn (Qmaks.) za medij ISO VG 46 kod 50°C (30 mm²/s) na Δpges = 0.4 bar

Napomene uz narudžbu

drugi filtarski materijali te filtri za druge vrste ulja, viskoznosti i temperature isporučuju se na zahtjev

Artikli

Naziv	Površina filtra (cm ²)	Filter material	Priključak voda	Q max. (L/min)	B (mm)	D (mm)	Ø A (mm)	L (mm)	L1 (mm)	Težina (kg)
FI SP R 48 A10 V G3/4	1900	anorganski	G 3/4"	48	22	95	96,0	180,0	200,0	1,0
FI SP R 55 P10 V G3/4	2240	organic	G 3/4"	55	22	95	96,0	180,0	200,0	1,0
FI SP R 53 A10 V G3/4	3160	anorganski	G 3/4"	53	22	95	96,0	248,0	268,0	1,3
FI SP R 58 P10 V G3/4	4140	organic	G 3/4"	58	22	95	96,0	248,0	268,0	1,3
FI SP R 110 A10 V G11/4	3950	anorganski	G 1.1/4"	110	30	133	129,0	241,0	266,0	2,2
FI SP R 130 P10 V G11/4	4300	organic	G 1.1/4"	130	30	133	129,0	241,0	266,0	2,2
FI SP R 115 A10 V G11/4	5390	anorganski	G 1.1/4"	115	30	133	129,0	286,0	311,0	2,3
FI SP R 150 P10 V G11/4	5760	organic	G 1.1/4"	150	30	133	129,0	286,0	311,0	2,3

Qmax - maks. volumenska struja

Pribor

HK VA MAN Clogging indicator pressure gauge

Rezervni dijelovi

FI SP E MP Filtarski element za spin-on filter MP

FI SP R/S FK Filtarska glava za spin-on povratni/usisni filter