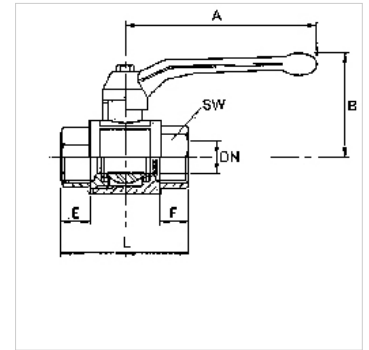
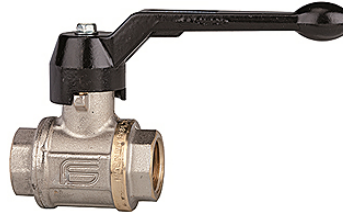


# K-BKR HANDHEBEL IG IG

Ball valves with hand lever, female/female thread

## Karakteristike

<b>Područje primjene</b>	Compressed air, water, non-toxic and neutral gases, heating oil (EL),(S), lubricants, dieseloil, water beased coatings
<b>Radna temperatura</b>	-20 °C to +130 °C
<b>Opis navoja</b>	G thread acc. to DIN EN ISO 228-1, R thread acc. to DIN EN 10226 (ISO 7-1)
<b>Kućište</b>	Nickel-plated brass
<b>Poluga</b>	Alu, painted black
<b>Kugla</b>	hardchrome-plated brass
<b>Brtva kugle</b>	PTFE
<b>Brtva vretena</b>	PTFE



## Napomena

Drugi podatci na zahtjev.

## Artikli

Naziv	DN	Navoj	PN (bar)	A (mm)	B (mm)	E (mm)	F (mm)	L (mm)	SW (mm)
K- 07 30 21 19	8	G 1/4	80	75,0	51,5	6,5	6,5	40,5	18
K- 07 30 21 20	10	G 3/8	80	75,0	54,0	8,5	8,5	46,0	21
K- 07 30 21 21	15	G 1/2	80	100,0	64,0	9,5	9,5	55,0	26
K- 07 30 21 22	20	G 3/4	80	120,0	67,5	12,5	12,5	65,0	32
K- 07 30 21 23	25	G 1	80	120,0	80,0	13,5	13,5	76,0	39
K- 07 30 21 24	32	G 1 1/4	80	150,0	94,0	13,5	13,5	85,0	49
K- 07 30 21 25	40	G 1 1/2	80	150,0	103,0	18,0	18,0	103,0	56
K- 07 30 21 26	50	G 2	63	175,0	115,5	20,5	20,5	121,0	69
K- 07 30 21 27	65	G 2 1/2	40	280,0	152,0	24,2	24,2	148,0	85
K- 07 30 21 28	80	G 3	40	280,0	163,5	26,8	26,8	172,0	100