

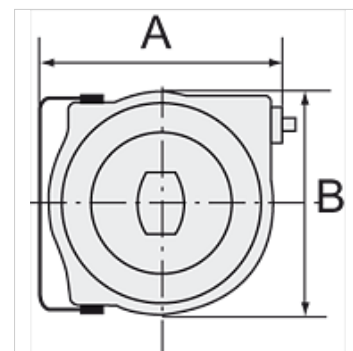
K-SCHL-AUFROLLER LU WA L

Hose reels for compressed air and water, lightweight type

HANSA FLEX

Karakteristike

Materijal crijeva	PVC
Radni tlak	max. 12 bar (K-07100622); max. 20 bar (K-07100623)
Radna temperatura	max. +60 °C
Ulazni nastavak	G 1/4
Zakretni kut	180°



Napomena

Drugi podatci na zahtjev.

Opis

High-quality, impact-resistant polypropylene housing. An automatic latching mechanism allows the hose to be engaged at any length. Enclosed spring. Precise locking device for continuous feeding or stop function. Reel guide prevents excessive wear on the hose.

Artikli

Naziv	Dimenzije crijeva	A (mm)	B (mm)	Duljina crijeva (m)
K- 07 10 06 22	12 mm x 8 mm	340,0	311,0	8
K- 07 10 06 23	12 mm x 6 mm	445,0	400,0	15