

K-SAUGPLATTENAUFHAENGUNG

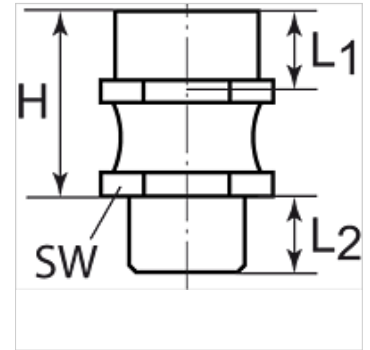
Flexible suction pad mountings

HANSA FLEX

Karakteristike

Primjena For handling of workpieces with sloping using large-area vacuum gripper
Handling of large plates that can sag when lifting
In combination with spring plungers to compensate height-differences and Unevenness

Posebna obilježja very good adaptation to oblique workpiece surfaces
automatic Rückstellung in die Ausgangslage
vacuum-tight design with integrated protection against damage



Napomena

Drugi podatci na zahtjev.

Opis

Flexible suction pad mounting. By flexing in all directions, this mounting allows the suction pad to better adapt itself to sloping workpieces.

Artikl

Naziv	Unutarnji navoj 1	Vanjski navoj 2	H	Materijal	L1	L2	Kut W	Okomito opterećenje	Moment savijanja	SW
			(mm)		(mm)	(mm)	(°)	(N/m ²)	(N/m ²)	(mm)
K- 07 45 01 47	G 1/4	M 10 x 1.25	27,0	Steel, rubber	10,5	8,0	12	500	8,0	17
K- 07 45 01 48	G 1/4	G 1/4	27,0	Steel, rubber	12,0	12,0	12	750	10,0	17