

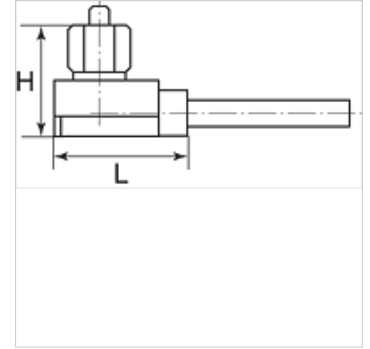
# K-VAKUUMSENSOR ANALOG

Vacuum sensor, analogue

**HANSA FLEX**

## Karakteristike

<b>Primjena</b>	Measurement of vacuum values close to the suction pad Remote evaluation of the signals Processing the output signals, for example, by PLC
<b>Mediji</b>	dry, oil-free air and non-aggressive gases
<b>Temperaturno područje</b>	0 - 50 °C
<b>Izlazni signal</b>	1 to 5 analogous to V
<b>Histereza</b>	Fixed: 20 mbar (model with digital sensor)
<b>Duljina kabela</b>	3 m
<b>Vrsta zaštite</b>	IP 40



## Napomena

Drugi podatci na zahtjev.

## Opis

Mini-sensor with housing and connection cable, analogue or digital output signal. Minimum size and low weight combined with high measuring accuracy.

## Artikl

Naziv	Priključak	H (mm)	L (mm)	Mjerno područje	Napon
K- 07 45 01 56	M 5 male	16,9	21,0	-1 bis 0 bar	10 - 24 V DC