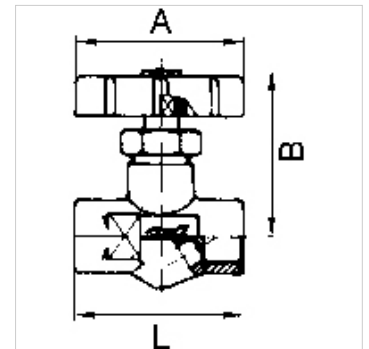
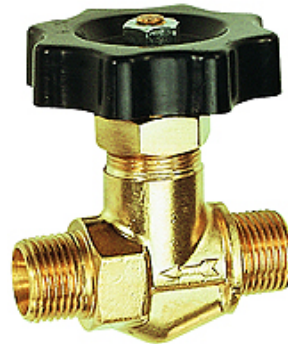


### Karakteristike

<b>Radni tlak</b>	Max. 40 bar
<b>Opis navoja</b>	With inside cone for ball-type hose fitting
<b>Kućište</b>	Brass
<b>Ručni ventil</b>	Plastic
<b>Vreteno</b>	With stainless steel ball



### Napomena

Drugi podatci na zahtjev.

### Artikl

Naziv	DN	Navoj	A (mm)	B (mm)	L (mm)	SW (mm)
K- 07 30 03 52	6	G 1/4	48,0	50,0	42,0	17
K- 07 30 03 53	8	G 3/8	48,0	55,0	52,0	22
K- 07 30 03 54	11	G 1/2	48,0	65,0	67,0	27