

K-HAND-SCHIEBEVENTIL

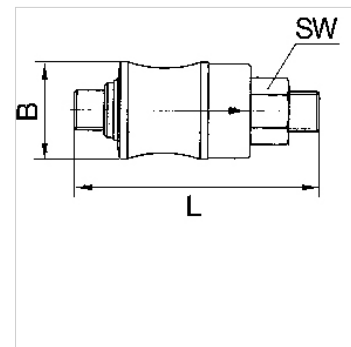
Manual slide valves

HANSA FLEX

Karakteristike

Radni tlak maks. 10 bar

Radna temperatura max. +70 °C



Napomena

Drugi podatci na zahtjev.

Opis

For use on devices that have to be vented whenever they are turned off, either because of safety regulations or for technical reasons. The pneumatic devices are disconnected from the system and simultaneously vented each time they are shut off.

Artikli

Naziv	Navoj	B (mm)	L (mm)	SW (mm)
K- 07 30 15 92	G 1/8	21,0	67,0	14
K- 07 30 15 93	G 1/4	24,0	77,0	17
K- 07 30 15 94	G 3/8	31,0	87,0	22
K- 07 30 15 95	G 1/2	35,0	104,0	26