

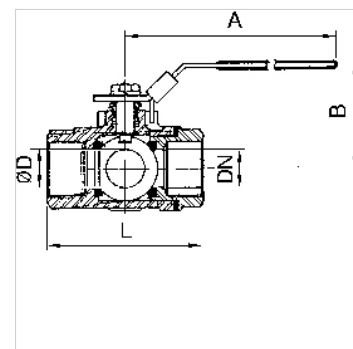
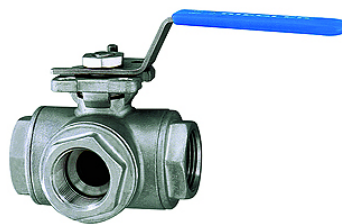
K-3 BKR T VA

3-way ball valves, T-bore

HANSA FLEX

Karakteristike

Radni tlak	max. 63 bar
Radna temperatura	max. 160 °C
Provrt	T oblik
Orijentacijske vrijednosti	Up to 40 °C: 63 bar, 150 °C: 28 bar
Brtva	RTFE
Ručka	Stainless steel
Kuglasti ventil	Stainless steel 1.4408



Napomena

G thread acc. to DIN EN ISO 228-1, with ISO flange plate (acc. to ISO 5211)

Drugi podatci na zahtjev.

Opis

With T-bore, reduced bore. Version for sealing on all sides with integrated ISO flange plate (ISO 5211). The lever can be turned 360° to allow several switching variants.

Napomene uz narudžbu

For use on devices that have to be vented whenever they are turned off, either because of safety regulations or for technical reasons. The pneumatic devices are disconnected from the system and simultaneously vented each time they are shut off.

Artikli

Naziv	DN	Navoj	A (mm)	B (mm)	L (mm)	Ø D (mm)
K- 07 30 15 10	15	G 1/2	114,0	73,0	80,0	12,5
K- 07 30 15 11	20	G 3/4	133,0	78,0	87,0	16,0
K- 07 30 15 12	25	G 1	133,0	83,0	100,0	20,0
K- 07 30 15 13	32	G 1 1/4	187,0	92,0	123,0	25,0
K- 07 30 15 14	40	G 1 1/2	187,0	98,0	142,0	31,8
K- 07 30 15 15	50	G 2	187,0	126,0	170,0	38,1