

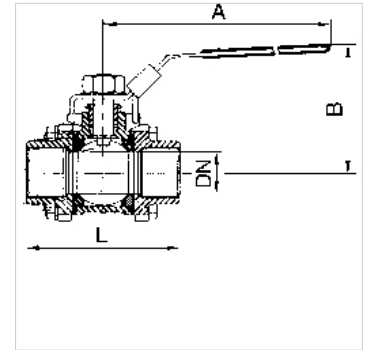
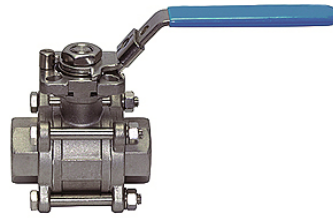
K-BKR GEWINDEAUSLAUF VA

Ball valves

HANSA FLEX

Karakteristike

| | |
|--------------------------|---|
| Radni tlak | max. 70 bar (depending on temperature and nominal size) |
| 1.1/4" to 1.1/2" | 20 °C: 70 bar, 60 °C: 55 bar, 100 °C: 35 bar, 150 °C: 6 bar, 180 °C: 4 bar, 200 °C: 0 bar |
| 1/4" bis 1" | 20 °C: 70 bar, 60 °C: 65 bar, 100 °C: 45 bar, 150 °C: 7 bar, 180 °C: 4 bar, 200 °C: 0 bar |
| 2" | 20 °C: 60 bar, 60 °C: 40 bar, 100 °C: 30 bar, 150 °C: 5 bar, 180 °C: 4 bar, 200 °C: 0 bar |
| Radna temperatura | 200 °C at 0 bar |
| Brtva | 15 % RPTFE (glass fibre reinforced PTFE) |
| Ručka | Stainless steel 1.4301 |



Napomena

G thread acc. to DIN EN ISO 228-1, with ISO flange plate (acc. to ISO 5211)
Drugi podatci na zahtjev.

Napomene uz narudžbu

For use on devices that have to be vented whenever they are turned off, either because of safety regulations or for technical reasons. The pneumatic devices are disconnected from the system and simultaneously vented each time they are shut off.

Dodatne informacije

G thread acc. to DIN EN ISO 228-1, with ISO flange plate (acc. to ISO 5211)

Artikli

| Naziv | DN | Navoj | A (mm) | B (mm) | L (mm) | Materijal |
|----------------|----|---------|-----------|-----------|-----------|-------------------------------|
| K- 07 30 14 86 | 8 | G 1/4 | 123,0 | 74,0 | 63,0 | Stainless steel 1.4401/1.4408 |
| K- 07 30 14 87 | 10 | G 3/8 | 123,0 | 74,0 | 63,0 | Stainless steel 1.4401/1.4408 |
| K- 07 30 14 88 | 15 | G 1/2 | 123,0 | 74,0 | 63,0 | Stainless steel 1.4401/1.4408 |
| K- 07 30 14 89 | 20 | G 3/4 | 123,0 | 78,0 | 73,0 | Stainless steel 1.4401/1.4408 |
| K- 07 30 14 90 | 25 | G 1 | 153,0 | 89,0 | 85,0 | Stainless steel 1.4401/1.4408 |
| K- 07 30 14 91 | 32 | G 1 1/4 | 153,0 | 94,0 | 96,0 | Stainless steel 1.4401/1.4408 |
| K- 07 30 14 92 | 40 | G 1 1/2 | 183,0 | 110,0 | 114,0 | Stainless steel 1.4401/1.4408 |
| K- 07 30 14 93 | 50 | G 2 | 183,0 | 118,0 | 134,0 | Stainless steel 1.4401/1.4408 |