

K-BKR MINI DREHGRIFF

Mini ball valves with wing lever

HANSA FLEX

Karakteristike

Područje primjene Compressed air, water, oils, non-toxic gases

Radni tlak maks. 10 bar

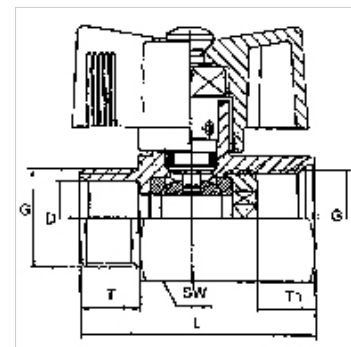
Temperatura medija -10 °C to +90 °C

Kućište i kugla Nickel-plated brass

Ručka, okretna ručka Plastic

Brtva kugle PTFE

Brtva vretena FKM



Napomena

Drugi podatci na zahtjev.

Artikli

Naziv	DN	Navoj	L (mm)	SW (mm)	T (mm)	T1 (mm)
K- 07 30 20 50	8	G 1/4 female	41,5	21	9,0	10,5
K- 07 30 20 51	8	G 3/8 female	41,5	21	12,0	10,0
K- 07 30 20 52	10	G 1/2 female	47,0	24	12,5	10,5
K- 07 30 20 34	8	G 1/4 female/male	41,5	21	9,0	10,5
K- 07 30 20 35	8	G 3/8 female / male	40,5	21	10,0	10,0
K- 07 30 20 36	10	G 1/2 female/male	46,0	25	12,0	10,6