

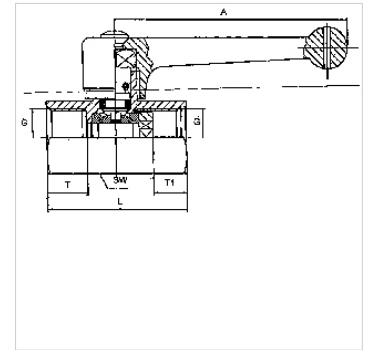
K-BKR MINI HANDHEBEL

Mini ball valves with hand lever

HANSA FLEX

Karakteristike

Područje primjene	Compressed air, water, oils, non-toxic gases
Radni tlak	maks. 10 bar
Temperatura medija	-10 °C to +90 °C
Kućište i kugla	Nickel-plated brass
Ručka, okretna ručka	Plastic
Brtva kugle	PTFE
Brtva vretena	FKM



Napomena

Drugi podatci na zahtjev.

Artikl

Naziv	DN	Navoj	A (mm)	L (mm)	SW (mm)	T (mm)	T1 (mm)
K- 07 30 21 16	8	G 1/4 female	68,5	41,5	21	9,0	10,5
K- 07 30 21 17	8	G 3/8 female	68,5	41,5	21	12,0	10,0
K- 07 30 21 18	10	G 1/2 female	68,5	47,0	25	12,5	10,5
K- 07 30 20 90	8	G 1/4 female/male	68,5	41,5	20	9,0	10,5
K- 07 30 20 91	8	G 3/8 female / male	68,5	40,5	21	10,0	10,0
K- 07 30 20 92	10	G 1/2 female/male	68,5	46,5	25	12,0	10,6