

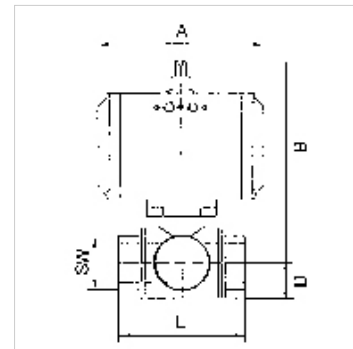
K-3 BKR STELLANTR E T MS

Brass ball valves, 3-way, with double-acting actuator, T-bore, normal position

HANSA FLEX

Karakteristike

Izvedba	Pneumatic actuators, in double- or single acting version, with integrated end-position feedback
Provrt	T oblik
Radna temperatura	-20 °C to +70 °C
Zakretni kut	90 °
Upravljački tlak	5.5 bar
Ventilski adapter	Supplied as standard
Pogon	aluminium eloxed
Brtva pogona	NBR
Kuglasti ventil	Chrome-plated brass, with ISO-flange plate
Brtva kuglastog ventila	PTFE/FKM



Napomena

G thread acc. to DIN EN ISO 228-1, with ISO flange plate (acc. to ISO 5211)

Drugi podatci na zahtjev.

Opis

3-way cock, T-bore, full bore

Dodatne informacije

Other T-positions on request

Artikli

Naziv	DN	Navoj	Položaj	PN (bar)	A (mm)	B (mm)	D (mm)	L (mm)	SW (mm)
K- 07 30 03 17	15	Rp 1/2	T 3	40	133,0	142,0	20,0	64,5	25
K- 07 30 03 18	20	Rp 3/4	T 3	40	133,0	146,0	24,0	76,0	31
K- 07 30 03 19	25	Rp 1	T 3	40	133,0	150,5	30,0	97,0	41
K- 07 30 03 20	32	Rp 1 1/4	T 3	40	161,0	191,5	37,0	118,0	55
K- 07 30 03 21	40	Rp 1 1/2	T 3	25	180,0	193,5	43,0	133,0	55
K- 07 30 03 22	50	Rp 2	T 3	25	209,0	221,0	56,0	157,0	67