

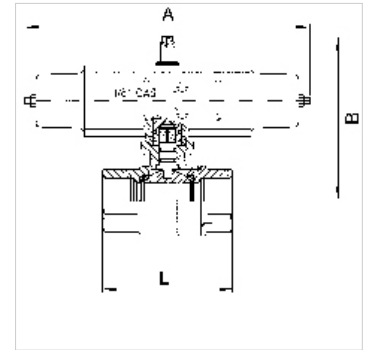
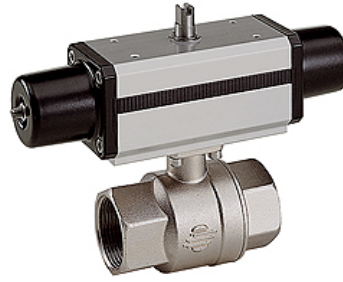
K-BKR ANTR D FEDER MS

Brass ball valves, single-acting actuator - spring to close

HANSA FLEX

Karakteristike

Izvedba	Pneumatic, double-piston, part-turn actuator, double-rocker principle
Radni tlak	Max. 16 bar
Radna temperatura	-20 °C to +150 °C
Zakretni kut	90 °
Upravljački tlak	5.6 bar
Ventilski adapter	Supplied as standard
Temperaturno područje	-20 °C to +80 °C
Pogon	aluminium eloxed
Brtna pogona	NBR
Kuglasti ventil	Chrome-plated brass, with ISO-flange plate
Brtna kuglastog ventila	PTFE/FKM



Napomena

Drugi podatci na zahtjev.

Artikli

Naziv	DN	Navoj	A (mm)	B (mm)	L (mm)
K- 07 30 02 35	10	Rp 3/8	221,0	110,0	69,0
K- 07 30 02 36	15	Rp 1/2	221,0	110,0	69,0
K- 07 30 02 37	20	Rp 3/4	221,0	117,0	77,0
K- 07 30 02 38	25	Rp 1	221,0	121,0	89,0
K- 07 30 02 39	32	Rp 1 1/4	221,0	131,0	103,0
K- 07 30 02 40	40	Rp 1 1/2	221,0	137,0	114,0
K- 07 30 02 41	50	Rp 2	240,0	155,0	134,0