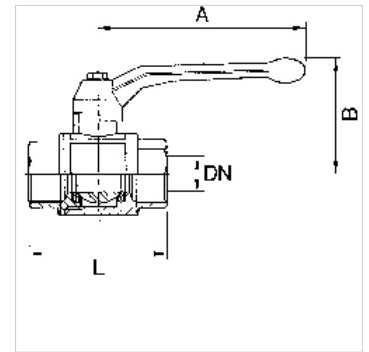


Karakteristike

| | |
|-------------------|---|
| Radni tlak | Max. 25 bar |
| Radni tlak | Max. 28 bar |
| Radna temperatura | -20 oC to +100 oC |
| Opis navoja | G thread acc. DIN EN ISO 228-1 |
| Kućište | Nickel-plated brass |
| Poluga | Steel Q235-A (1.0038) with blue PVC coating |
| Kugla | Nickel-plated brass |
| Brtva kugle | PTFE |
| Brtva vretena | NBR |



Napomena

Drugi podatci na zahtjev.

Artiki

| Naziv | DN | Navoj | A (mm) | B (mm) | L (mm) |
|----------------|----|-------|-----------|-----------|-----------|
| K- 07 30 21 53 | 8 | 1/4 | 75,0 | 38,0 | 50,0 |
| K- 07 30 21 54 | 10 | 3/8 | 75,0 | 37,0 | 47,0 |
| K- 07 30 21 55 | 15 | 1/2 | 98,0 | 45,0 | 59,0 |
| K- 07 30 21 56 | 19 | 3/4 | 98,0 | 49,0 | 65,0 |
| K- 07 30 21 57 | 25 | 1 | 118,0 | 55,0 | 74,0 |
| K- 07 30 21 58 | 31 | 1 1/4 | 118,0 | 58,0 | 83,0 |
| K- 07 30 21 59 | 37 | 1 1/2 | 138,0 | 71,0 | 95,0 |
| K- 07 30 21 60 | 45 | 2 | 160,0 | 85,0 | 111,0 |