

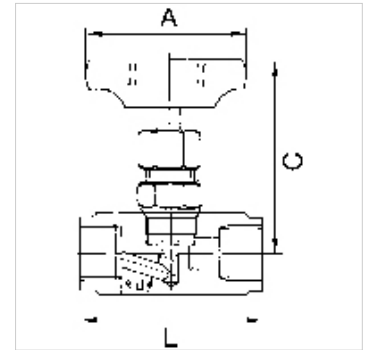
K-NADELVENTILE VA

Needle valves

HANSA FLEX

Karakteristike

Radni tlak	max. 400 bar (at 20 °C); max. 250 bar (at G 1 - 20 °C)
Radna temperatura	-20 °C to +120 °C
Brtveni materijal	PTFE
Kučište	Stainless steel 1.4571
Ručni ventil	Plastic
Materijal	sealing: PTFE



Napomena

G thread acc. to DIN EN ISO 228-1, with ISO flange plate (acc. to ISO 5211)

Drugi podatci na zahtjev.

Napomene uz narudžbu

For use on devices that have to be vented whenever they are turned off, either because of safety regulations or for technical reasons. The pneumatic devices are disconnected from the system and simultaneously vented each time they are shut off.

Dodatne informacije

Port sizes G 1 1/4, G 1 1/2 and G 2 available on request

Artikli

Naziv	DN	Navoj	A (mm)	C (mm)	L (mm)
K- 07 30 24 03	4	G 1/8	50,0	74,0	50,0
K- 07 30 24 04	5	G 1/4	50,0	73,0	50,0
K- 07 30 24 05	6	G 3/8	50,0	72,0	55,0
K- 07 30 24 06	8	G 1/2	63,0	83,0	60,0
K- 07 30 24 07	10	G 3/4	63,0	100,0	75,0
K- 07 30 24 08	12	G 1	80,0	110,0	100,0