

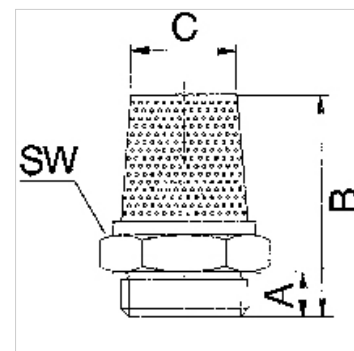
K-SCHALLDAE SINTERBR S

Silencers, sintered bronze, slotted

HANSA FLEX

Karakteristike

| | |
|-------------------|-----------------------------------|
| Radni tlak | maks. 10 bar |
| Radna temperatura | -10 °C to +250 °C |
| Norma | G thread acc. to DIN EN ISO 228-1 |



Napomena

Drugi podatci na zahtjev.

Opis

For reducing the exhaust noise generated by pneumatic equipment.

Artikli

| Naziv | Navoj | A (mm) | B (mm) | C (mm) |
|----------------|-------|-----------|-----------|-----------|
| K- 07 40 35 03 | G 1/8 | 6,5 | 12,5 | 9,5 |
| K- 07 40 35 04 | G 1/4 | 6,5 | 13,5 | 12,6 |
| K- 07 40 35 05 | G 3/8 | 7,5 | 16,0 | 16,2 |
| K- 07 40 35 06 | G 1/2 | 10,0 | 19,6 | 20,5 |
| K- 07 40 46 86 | G 3/4 | 11,0 | 23,0 | 26,0 |
| K- 07 40 46 87 | G 1 | 13,0 | 24,0 | 33,0 |