

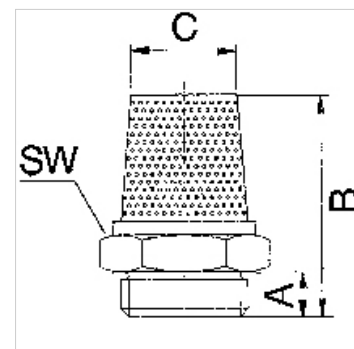
K-SCHALLDAE SINTERBR AG 560

Silencers, sintered bronze, flat type with male thread, 560 Series

HANSA FLEX

Karakteristike

Radni tlak	maks. 10 bar
Radna temperatura	-10 °C to +250 °C
Norma	G thread acc. to DIN EN ISO 228-1



Napomena

Drugi podatki na zahtjev.

Opis

For reducing the exhaust noise generated by pneumatic equipment.

Artiki

Naziv	Navoj	B (mm)	C (mm)
K- 07 40 34 87	G 1/8	6,0	6,0
K- 07 40 34 88	G 1/4	6,0	8,0
K- 07 40 34 89	G 3/8	6,5	10,0
K- 07 40 34 90	G 1/2	8,0	12,0
K- 07 40 34 91	G 3/4	10,5	20,0
K- 07 40 34 92	G 1	9,5	26,0