

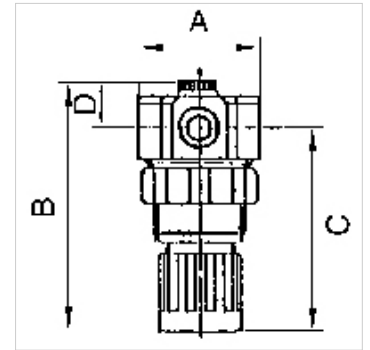
K-DRG MEMBRAN O SEKUNDAERENTL MANO

Pressure regulators with pressure gauge

HANSA FLEX

Karakteristike

Ulazni tlak	Max. 25 bar
Temperatura medija	max. 50 °C
Okolna temperatura	Max. 50 °C
Protok	3.5 l/min
Brtveni materijal	NBR
Pokrov s oprugom	POM
Kućište	Brass
Membrana	NBR
Mjerenje vrijednosti protoka	At P1 = 7 bar, P2 = 5 bar (water) and pressure drop $\Delta p \leq 1$ bar



Napomena

Drugi podatci na zahtjev.

Opis

Diaphragm pressure regulators with non-self relieving design for water, compressed air and non-aggressive gases.

Artikli

Naziv	Navoj	Regulacijsko područje	A (mm)	B	C (mm)	D (mm)
K- 07 25 04 75	G 1/4	0.1 - 3 bar	40,0	78,0 mm	63,0	15,0
K- 07 25 04 76	G 1/4	0.2 - 6 bar	40,0	78,0 mm	63,0	15,0
K- 07 25 04 77	G 1/4	0.5 - 10 bar	40,0	78,0 mm	63,0	15,0

Rezervni dijelovi

K-HALTERBAUSATZ	Holder
K-SCHALTTAFELMUTTER	Nut
K-VERSCHLEI-SATZ	Set of wearing parts