

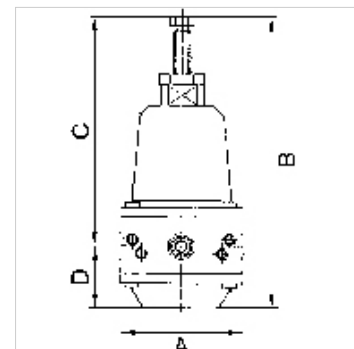
# K-PRAEZI DRUCKREGLER MEM

Precision pressure regulators

**HANSA FLEX**

## Karakteristike

|                          |   |
|--------------------------|---|
| Ulazni tlak              | Max. 16 bar   |
| Temperatura medija       | max. 60 °C  |
| Okolna temperatura       | Max. 60 °C  |
| Mediji                   | Micro-filtered, unoiled compressed air (0.01 µm)          |
| Priključak za manometar  | G 1/4   |
| Brtnveni materijal       | NBR   |
| Kućište                  | Die-cast zinc   |
| Vlastita potrošnja zraka | 0.01 l/min, depending on input pressure and control range |



## Napomena

The given flow rates are based on the following parameters: 750 l/min: P1: 8 bar, P2: 2 bar,  $\Delta p \leq 0.2$  bar

750 l/min: P1: 8 bar, P2: 3 bar,  $\Delta p \leq 0.5$  bar

750 l/min: P1: 8 bar, P2: 5 bar,  $\Delta p \leq 0.7$  bar

Drugi podatci na zahtjev.

## Opis

Diaphragm pressure regulators containing no non-ferrous metals, with self-relieving design for applications requiring an precise working pressure.

## Dodatne informacije

1500 l/min: P1: 10 bar, P2: 7 bar,  $\Delta p \leq 0.1$  bar.

## Artikli

| Naziv          | Navoj | Regulacijsko područje | Protok (L/min) | A (mm) | B        | C (mm) | D (mm) |
|----------------|-------|-----------------------|----------------|--------|----------|--------|--------|
| K- 07 25 09 36 | G 1/4 | 0.1 - 2 bar           | 750            | 60,0   | 152,0 mm | 120,0  | 32,0   |
| K- 07 25 09 37 | G 1/4 | 0.1 - 3 bar           | 750            | 60,0   | 152,0 mm | 120,0  | 32,0   |
| K- 07 25 09 38 | G 1/4 | 0.2 - 5 bar           | 750            | 60,0   | 152,0 mm | 120,0  | 32,0   |

## Rezervni dijelovi

|                          |                                      |
|--------------------------|--------------------------------------|
| K-HALTERBAUSATZ STANDARD | Holder                               |
| K-VERSCHLEI-SATZ         | Set of wearing parts                 |
| K-FILTERELEMENT          | Filter element                       |
| K-XV AGM 2               | Double nipples, parallel male thread |