

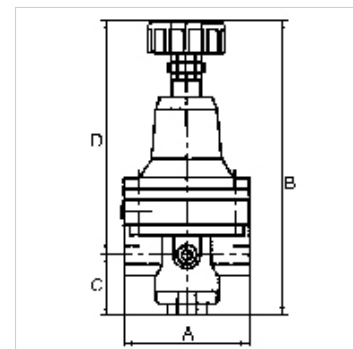
K-PRAEZI DRUCKREGLER SELU

Precision pressure regulators

HANSA FLEX

Karakteristike

Ulazni tlak	Max. 16 bar
Temperatura medija	max. 60 °C
Okolna temperatura	Max. 60 °C
Mediji	Micro-filtered, unoiled compressed air (0.01 µm)
Priključak za manometar	G 1/4
Odzračni priključak	G 3/8 (for mounting a silencer)
Brtveni materijal	NBR
Kućište	Die-cast zinc
Vlastita potrošnja zraka	1.5 - 6 l/min, depending on input pressure and control range



Napomena

The given flow rates are based on the following parameters: 1200 l/min: P1: 5 bar, P2: 3 bar, $\Delta p \leq 0.1$ bar

1400 l/min: P1: 7 bar, P2: 5 bar, $\Delta p \leq 0.1$ bar

1500 l/min: P1: 10 bar, P2: 7 bar, $\Delta p \leq 0.1$ bar. Wear parts kit not supplied! Pressure regulator may only be opened in the factory!

Drugi podatci na zahtjev.

Opis

With high flow rate and large secondary relief port. Diaphragm pressure regulators with large secondary relief port for applications requiring an extremely accurate working pressure, especially at high flow rates.

Dodatne informacije

on Art. K-07250721: Max. inlet pressure 300 bar. Other cylinder pressure regulators available on request.

1500 l/min: P1: 10 bar, P2: 7 bar, $\Delta p \leq 0.1$ bar.

Artikli

Naziv	Navoj	Regulacijsko područje	Protok (L/min)	A (mm)	C (mm)	D (mm)
K- 07 25 09 28	G 1/4	0.05 - 3 bar	700	82,0	43,5	159,0
K- 07 25 09 29	G 1/4	0.05 - 7 bar	1500	82,0	43,5	159,0
K- 07 25 09 30	G 3/8	0.05 - 3 bar	3000	82,0	43,5	159,0
K- 07 25 09 31	G 3/8	0.05 - 7 bar	5500	82,0	43,5	159,0
K- 07 25 09 32	G 1/2	0.05 - 3 bar	3000	82,0	43,5	159,0
K- 07 25 09 33	G 1/2	0.05 - 5 bar	4500	82,0	43,5	159,0
K- 07 25 09 34	G 1/2	0.05 - 7 bar	5500	82,0	43,5	159,0

Rezervni dijelovi

K-HALTERBAUSATZ STANDARD	Holder
K-KM MS	Hexagonal lock nuts, brass
K-SCHALLDAEPFER VYON	Vyon silencers
K-FILTERELEMENT	Filter element
K-XV AGM 2	Double nipples, parallel male thread