

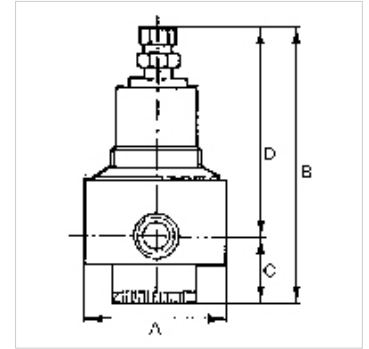
K-DRG FL RUECKSTERERBAR M MANO VA

Non-reversible, stainless steel pressure regulators for liquid media,
stainless steel pressure gauge

HANSA FLEX

Karakteristike

Ulazni tlak	Max. 30 bar (Control range 0.5 - 8.0 bar), Max. 50 bar (Control range 1.0 - 15.0 bar)
Temperatura medija	max. 80 °C
Okolna temperatura	Max. 80 °C
Brtveni materijal	FKM
Membrana	PTFE on NBR base
Materijal	stainless steel 1.4404 (AISI 316L)
Mjerenje vrijednosti protoka	At P1 = 8 bar, P2 = 6 bar and pressure drop $\Delta p \leq 1$ bar



Napomena

Drugi podatci na zahtjev.

Opis

Stainless steel regulators containing no non-ferrous metals for use in the food processing, chemical, mining, plant construction and special machinery industries as well as in the medical technology.

Napomene uz narudžbu

NPT thread available on request

Artikli

Naziv	Navoj	Regulacijsko područje	Protok (L/min)	A (mm)	B	C (mm)	D (mm)
K- 07 25 02 10	G 1/4	0.5 - 8.0 bar	200	65,0	162,0 mm	37,0	125,0
K- 07 25 02 11	G 1/4	1.0 - 15.0 bar	330	65,0	162,0 mm	37,0	125,0
K- 07 25 02 08	G 1/2	0.5 - 8.0 bar	660	80,0	164,0 mm	37,0	127,0
K- 07 25 02 09	G 1/2	1.0 - 15.0 bar	1800	80,0	164,0 mm	37,0	127,0

Rezervni dijelovi

K-HALTERBAUSATZ EDELSTAHL	Holder
K-MANO	Pressure gauges (CrNi steel type / connection on rear)
K-VERSCHLEI-SATZ	Set of wearing parts