

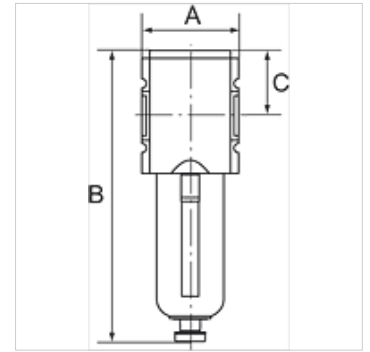
K-FI AK KOH PC-BEHAE SCHUTZK HANSA

Activated carbon filters

HANSA FLEX

Karakteristike

| | |
|------------------------------|--|
| Ulazni tlak | 0 - 16 bar |
| Temperaturno područje | -10 °C to +50 °C |
| Mediji | komprimirani zrak |
| Navoj priključka | Material: Die-cast zinc |
| Spremnik | Polycarbonate (with bayonet lock) |
| Filtarski element | Activated carbon |
| Kućište | Material: Grivory® (PA 66) |
| Zaštitna košara | Polyamide |
| Sadržaj preostalog ulja | 0.005 mg/m ³ , class 0 acc. to DIN ISO 8573-1 |
| Mjerenje vrijednosti protoka | At P2 = 6 bar and pressure drop $\Delta p = 0.5$ bar |



Napomena

Drugi podatci na zahtjev.

Opis

Activated carbon filters in modern design for compliance with strict compressed air purity requirements. Activated carbon filters are used to absorb oil vapour up to a residual oil content of 0.005 mg/m³ from compressed air and gases.

Artikli

| Naziv | Navoj | Protok (L/min) | A (mm) | B | C (mm) |
|----------------|-------|----------------|--------|----------|--------|
| K- 07 25 10 41 | G 1/4 | 500 | 52,0 | 157,0 mm | 34,0 |
| K- 07 25 10 42 | G 3/8 | 500 | 52,0 | 157,0 mm | 34,0 |
| K- 07 25 10 43 | G 3/8 | 1600 | 63,0 | 183,0 mm | 42,5 |
| K- 07 25 10 44 | G 1/2 | 1600 | 63,0 | 183,0 mm | 42,5 |
| K- 07 25 10 23 | G 3/4 | 3000 | 85,0 | 240,5 mm | 58,0 |
| K- 07 25 10 24 | G 1 | 3000 | 85,0 | 240,5 mm | 58,0 |

Rezervni dijelovi

| | |
|------------------------------|-------------------------------|
| K-HALTERBAUSATZ HANSA | Holder HANSA |
| K-ERSATZBEHAELTER HANSA POLY | Spare tank HANSA polycarbonat |