

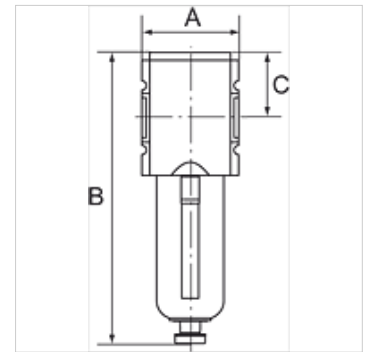
K-FI PC-BEHÄLTER SCHUTZK HANSA

Filters

HANSA FLEX

Karakteristike

Ulazni tlak	1.5 - 16 bar
Temperaturno područje	-10 °C to +50 °C
Mediji	komprimirani zrak
Finoća filtra	5,00 µm
Brtveni materijal	NBR
Navoj priključka	Material: Die-cast zinc
Spremnik	Polycarbonate (with bayonet lock)
Filtarski element	Cellpor (PE)
Kućíšte	Material: Grivory® (PA 66)
Zaštitna košara	Polyamide
Mjerenje vrijednosti protoka	At P2 = 6 bar, pressure drop $\Delta p = 1$ bar



Napomena

Drugi podatci na zahtjev.

Opis

Filters with excellent flow rates in modern design.

Artikli

Naziv	Navoj	Protok (L/min)	A (mm)	B	C (mm)	Veličina	Ispust kondenzata
K- 07 25 05 64	G 1/4	2000	52,0	164,0 mm	34,0	1	Semi
K- 07 25 05 65	G 3/8	2000	52,0	164,0 mm	34,0	1	Semi
K- 07 25 05 66	G 3/8	3500	63,0	189,5 mm	42,5	2	Semi
K- 07 25 05 67	G 1/2	3500	63,0	189,5 mm	42,5	2	Semi
K- 07 25 05 60	G 3/4	9000	85,0	250,0 mm	58,0	4	Semi
K- 07 25 05 61	G 1	9000	85,0	250,0 mm	58,0	4	Semi
K- 07 25 05 68	G 1/4	2000	52,0	181,0 mm	34,0	1	Auto
K- 07 25 05 69	G 3/8	2000	52,0	181,0 mm	34,0	1	Auto
K- 07 25 05 70	G 3/8	3500	63,0	206,0 mm	42,5	2	Auto
K- 07 25 05 71	G 1/2	3500	63,0	206,0 mm	42,5	2	Auto
K- 07 25 05 62	G 3/4	9000	85,0	264,0 mm	58,0	4	Auto
K- 07 25 05 63	G 1	9000	85,0	264,0 mm	58,0	4	Auto

Rezervni dijelovi

K-HALTERBAUSATZ HANSA	Holder HANSA
K-ERSATZBEHÄLTER HANSA POLY	Spare tank HANSA polycarbonat
K-FILTERELEMENT	Filter element