

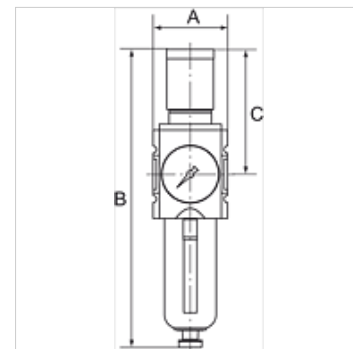
K-FI REGL PC-BEHÄEL S MANO HANSA

Filter regulators

HANSA FLEX

Karakteristike

Ulazni tlak	1.5 - 16 bar
Izlazni tlak	0.5 - 8 bar
Temperaturno područje	-10 °C to +50 °C
Mediji	komprimirani zrak
Finoća filtra	5,00 µm
Navoj priključka	Material: Die-cast zinc
Spremnik	Polycarbonate (with bayonet lock)
Filtarski element	Cellpor (PE)
Kućíšte	Material: Grivory® (PA 66)
Membrana	NBR
Vlastita potrošnja zraka	Max. 1.5 l/min (depending on secondary pressure)
Mjerenje vrijednosti protoka	At P1 = 10 bar, P2 = 6.3 bar and pressure drop $\Delta p = 1$ bar



Napomena

Drugi podatci na zahtjev.

Opis

Filter regulators with excellent flow rates in modern design. The regulator knob can be latched and locked.

Napomene uz narudžbu

The price does not include a key lock. Please order separately.

Artikli

Naziv	Navoj	Protok (L/min)	A (mm)	B	C (mm)	Veličina	Ispust kondenzata
K- 07 25 06 57	G 1/4	2200	52,0	225,0 mm	95,5	-	Semi
K- 07 25 06 58	G 3/8	2600	52,0	225,0 mm	95,5	-	Semi
K- 07 25 06 59	G 3/8	4300	63,0	257,0 mm	110,0	-	Semi
K- 07 25 06 60	G 1/2	5200	63,0	257,0 mm	110,0	-	Semi
K- 07 25 06 53	G 3/4	14000	85,0	329,0 mm	137,0	-	Semi
K- 07 25 06 54	G 1	14000	85,0	329,0 mm	137,0	-	Semi
K- 07 25 06 61	G 1/4	2200	52,0	243,0 mm	95,5	-	Auto
K- 07 25 06 62	G 3/8	2600	52,0	243,0 mm	95,5	-	Auto
K- 07 25 06 63	G 3/8	4300	63,0	274,0 mm	110,0	-	Auto
K- 07 25 06 64	G 1/2	5200	63,0	274,0 mm	110,0	-	Auto
K- 07 25 06 55	G 3/4	14000	85,0	343,0 mm	137,0	4	Auto
K- 07 25 06 56	G 1	14000	85,0	343,0 mm	137,0	4	Auto

Pribor

K-STECKSCHLOSS Key lock

Rezervni dijelovi

K-HALTERBAUSATZ HANSA	Holder HANSA
K-ERSATZBEHAELTER HANSA POLY	Spare tank HANSA polycarbonat
K-SCHALTTAFELMUTTER HANSA	Nut HANSA
K-FILTERELEMENT	Filter element
K-DICHTSATZ HANSA	Set of seals HANSA