

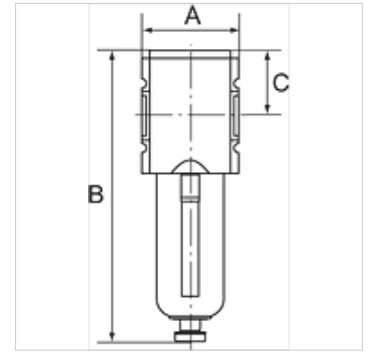
# K-MIKROFI FEINFILTER HANSA

Micro-filters (fine filters)

**HANSA FLEX**

## Karakteristike

Ulazni tlak	1.5 - 16 bar
Temperaturno područje	-10 °C to +50 °C
Mediji	komprimirani zrak
Finoća filtra	0,01 µm
Navoj priključka	Material: Die-cast zinc
Spremnik	Polycarbonate (with bayonet lock)
Filteraski element	Borosilicate glass fibre
Kućište	Material: Grivory® (PA 66)
Zaštitna košara	Polyamide
Separacija prašine	Class 1 acc. to DIN ISO 8753-1
Mjerenje vrijednosti protoka	At P2 = 6 bar and pressure drop $\Delta p = 0.5$ bar



## Napomena

Drugi podatci na zahtjev.

## Opis

Micro-filters in modern design for compliance with strict compressed air purity requirements. Micro-filters are used to separate solid oil, water and solid impurities as small as 0.01 µm from compressed air and gases.

## Artikli

Naziv	Navoj	Protok (L/min)	A (mm)	B	C (mm)	Ispust kondenzata
K- 07 25 10 33	G 1/4	350	52,0	169,5 mm	39,5	Semi
K- 07 25 10 34	G 3/8	350	52,0	169,5 mm	39,5	Semi
K- 07 25 10 35	G 3/8	450	63,0	195,0 mm	47,8	Semi
K- 07 25 10 36	G 1/2	450	63,0	195,0 mm	47,8	Semi
K- 07 25 10 19	G 3/4	1500	85,0	255,0 mm	63,0	Semi
K- 07 25 10 20	G 1	1500	85,0	255,0 mm	63,0	Semi
K- 07 25 10 37	G 1/4	350	52,0	186,5 mm	39,5	Auto
K- 07 25 10 38	G 3/8	350	52,0	186,5 mm	39,5	Auto
K- 07 25 10 39	G 3/8	450	63,0	210,5 mm	47,8	Auto
K- 07 25 10 40	G 1/2	450	63,0	210,5 mm	47,8	Auto
K- 07 25 10 21	G 3/4	1500	85,0	269,0 mm	63,0	Auto
K- 07 25 10 22	G 1	1500	85,0	269,0 mm	63,0	Auto

## Rezervni dijelovi

K-HALTERBAUSATZ HANSA	Holder HANSA
K-ERSATZBEHAELTER HANSA POLY	Spare tank HANSA polycarbonat
K-DIFFERENZDRUCKANZEI MONO	Differential pressure and differential pressure gauge
K-DIFFERENZDRUCKMANOMETER	Differential pressure gauge