

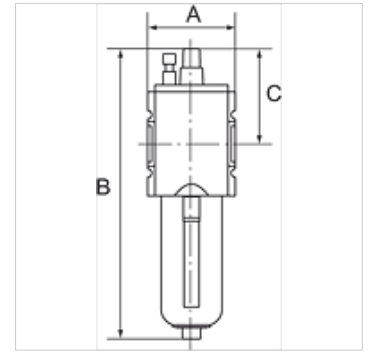
K-NEBELOEL PC-BEHÄEL SCHUTZK HANSA

Oil-mist lubricators

HANSA FLEX

Karakteristike

Ulazni tlak	0.5 - 16 bar
Temperaturno područje	-10 °C to +50 °C
Mediji	komprimirani zrak
Brtnveni materijal	NBR
Navoj priključka	Material: Die-cast zinc
Spremnik	Polycarbonate (with bayonet lock)
Kućiče	Material: Grivory® (PA 66)
Zaštitna košara	Polyamide
Nastavak za kapanje	PA
Vrsta ulja	CL 32 acc. to DIN 51517 - ISO VG 32
Mjerenje vrijednosti protoka	At P2 = 6 bar, pressure drop $\Delta p = 1$ bar



Napomena

Drugi podatci na zahtjev.

Opis

Oil-mist lubricators with excellent flow rates in modern design. These devices can be used to top up oil automatically. A hose must be connected to the threaded nipple on the oil bowl for this purpose. When the oil filling button on the top of the device is pressed, a Venturi nozzle opens and sucks oil into the bowl under vacuum.

Artikli

Naziv	Navoj	Protok (L/min)	A (mm)	B	C (mm)
K- 07 25 08 79	G 1/4	2800	52,0	183,0 mm	62,2
K- 07 25 08 80	G 3/8	2800	52,0	183,0 mm	62,2
K- 07 25 08 81	G 3/8	8000	63,0	208,2 mm	69,7
K- 07 25 08 82	G 1/2	8000	63,0	208,2 mm	69,7
K- 07 25 08 77	G 3/4	16000	85,0	270,4 mm	87,9
K- 07 25 08 78	G 1	16000	85,0	270,4 mm	87,9

Rezervni dijelovi

K-HALTERBAUSATZ HANSA	Holder HANSA
K-ERSATZBEHAELTER HANSA POLY	Spare tank HANSA polycarbonat
K-TROPFAUFSATZ HANSA	Drip attachment HANSA