

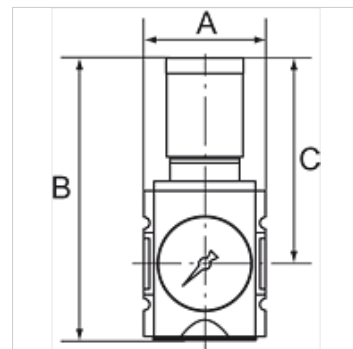
K-PRAEZI DRG MANO HANSA

Precision pressure regulators

HANSA FLEX

Karakteristike

Ulazni tlak	Max. 16 bar
Temperaturno područje	-10 °C to +50 °C
Mediji	komprimirani zrak
Navoj priključka	Material: Die-cast zinc
Kućičšte	Material: Grivory® (PA 66)
Membrana	NBR
Vlastita potrošnja zraka	2.6 l/min at P2 = 6 bar (depending on secondary pressure)
Mjerenje vrijednosti protoka	At P1 = 10 bar, P2 = 6.3 bar and pressure drop $\Delta p = 1$ bar



Napomena

Drugi podatci na zahtjev.

Opis

Precision diaphragm pressure regulators with self-relieving design and excellent flow rates in modern design for applications requiring an extremely accurate working pressure. The regulator button can be latched and locked.

Napomene uz narudžbu

The price does not include a key lock. Please order separately.

Artikli

Naziv	Navoj	Regulacijsko područje	Protok (L/min)	A (mm)	B	C (mm)	Veličina
K- 07 25 09 46	G 1/4	0.1 - 1 bar	2200	52,0	128,5 mm	95,5	1
K- 07 25 09 47	G 1/4	0.1 - 2 bar	2200	52,0	128,5 mm	95,5	1
K- 07 25 09 48	G 1/4	0.2 - 4 bar	2200	52,0	128,5 mm	95,5	1
K- 07 25 09 49	G 1/4	0.5 - 8 bar	2200	52,0	128,5 mm	95,5	1
K- 07 25 09 50	G 1/4	0.5 - 10 bar	2200	52,0	128,5 mm	95,5	1
K- 07 25 09 51	G 3/8	0.1 - 1 bar	2700	52,0	128,5 mm	95,5	1
K- 07 25 09 52	G 3/8	0.1 - 2 bar	2700	52,0	128,5 mm	95,5	1
K- 07 25 09 53	G 3/8	0.2 - 4 bar	2700	52,0	128,5 mm	95,5	1
K- 07 25 09 54	G 3/8	0.5 - 8 bar	2700	52,0	128,5 mm	95,5	1
K- 07 25 09 55	G 3/8	0.5 - 10 bar	2700	52,0	128,5 mm	95,5	1
K- 07 25 09 56	G 3/8	0.1 - 1 bar	4300	63,0	149,5 mm	110,0	2
K- 07 25 09 57	G 3/8	0.1 - 2 bar	4300	63,0	149,5 mm	110,0	2
K- 07 25 09 58	G 3/8	0.2 - 4 bar	4300	63,0	149,5 mm	110,0	2
K- 07 25 09 59	G 3/8	0.5 - 8 bar	4300	63,0	149,5 mm	110,0	2
K- 07 25 09 60	G 3/8	0.5 - 10 bar	4300	63,0	149,5 mm	110,0	2
K- 07 25 09 61	G 1/2	0.1 - 1 bar	5000	63,0	149,5 mm	110,0	2
K- 07 25 09 62	G 1/2	0.1 - 2 bar	5000	63,0	149,5 mm	110,0	2
K- 07 25 09 63	G 1/2	0.2 - 4 bar	5000	63,0	149,5 mm	110,0	2
K- 07 25 09 64	G 1/2	0.5 - 8 bar	5000	63,0	149,5 mm	110,0	2
K- 07 25 09 65	G 1/2	0.5 - 10 bar	5000	63,0	149,5 mm	110,0	2

Pribor

K-STECKSCHLOSS Key lock

Rezervni dijelovi

K-HALTERBAUSATZ HANSA	Holder HANSA
K-SCHALTAFELMUTTER HANSA	Nut HANSA
K-DICHTSATZ HANSA	Set of seals HANSA