

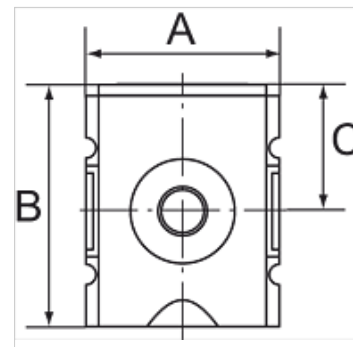
K-VERTEILER HANSA

Manifolds

HANSA FLEX

Karakteristike

Ulazni tlak	0 - 16 bar
Temperaturno područje	-10 °C to +50 °C
Mediji	komprimirani zrak
Navoj priključka	Material: Die-cast zinc
Kućičšte	Material: Grivory® (PA 66)



Napomena

Drugi podatci na zahtjev.

Artikli

Naziv	Outlets	Navoj	Protok (L/min)	A (mm)	B	C (mm)
K- 07 25 11 17	3 x G 1/4	G 1/4	2700	52,0	65,5 mm	34,5
K- 07 25 11 18	3 x G 1/4	G 3/8	3600	52,0	65,5 mm	34,5
K- 07 25 11 19	2 x G 3/8, 1 x G 1/4, 1 x G 1/2	G 3/8	7250	63,0	80,5 mm	43,0
K- 07 25 11 20	2 x G 3/8, 1 x G 1/4, 1 x G 1/2	G 1/2	7250	63,0	80,5 mm	43,0
K- 07 25 11 21	2 x G 3/4	G 3/4	18000	85,0	109,5 mm	58,5
K- 07 25 11 22	2 x G 3/4	G 1	18000	85,0	109,5 mm	58,5

Rezervni dijelovi

K-HALTERBAUSATZ HANSA	Holder HANSA
K-ERSATZBEHAELTER HANSA POLY	Spare tank HANSA polycarbonat
K-GERAETESTECKER	Coupling socket