

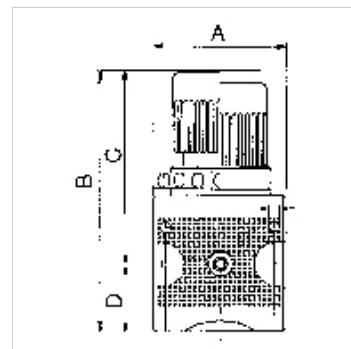
K-DRG DRVS MULTIFIX

Pressure regulators with pressure supply at both ends

HANSA FLEX

Karakteristike

Ulazni tlak	Max. 16 bar
Temperatura medija	max. 60 °C
Okolna temperatura	Max. 60 °C
Brtveni materijal	NBR
Pokrov s oprugom	POM-brass
Kućište	Die-cast zinc
Mjerenje vrijednosti protoka	At P1 = 8 bar, P2 = 6 bar and pressure drop $\Delta p = 1$ bar



Napomena

Drugi podatci na zahtjev.

Opis

Diaphragm pressure regulators with self-relieving design for mounting side by side. The pressure setting can be locked by pushing the knob down.
By assembling two or more controllers together, it is possible to supply several working air circuits with different output pressures via a single supply line.

Napomene uz narudžbu

The port for the output pressure (P2) is on the rear! K-07250031: G 1/4, K-07250034: G 1/2. Lockable pressure regulators K-07250030 available on request.

Artikli

Naziv	Navoj	Regulacijsko područje	Protok (L/min)	A (mm)	B	C (mm)	D (mm)	DN	Veličina
K- 07 25 00 31	G 1/4	0.1 - 3 bar	2000	47,8	94,8 mm	67,0	27,8	6	1
K- 07 25 00 32	G 1/4	0.2 - 6 bar	2000	47,8	94,8 mm	67,0	27,8	6	1
K- 07 25 00 30	G 1/4	0.5 - 10 bar	2000	47,8	94,8 mm	67,0	27,8	6	1
K- 07 25 00 34	G 1/2	0.1 - 3 bar	5500	68,8	134,1 mm	99,0	35,1	15	2
K- 07 25 00 35	G 1/2	0.2 - 6 bar	5500	68,8	134,1 mm	99,0	35,1	15	2
K- 07 25 00 33	G 1/2	0.5 - 10 bar	5500	68,8	134,1 mm	99,0	35,1	15	2

Rezervni dijelovi

K-HALTERBAUSATZ	Holder
K-SCHALTTAFELMÜTTER	Nut
K-HALTERBAUSATZ MULTIFIX	Holder
K-KOPPELPAKET MEHR	Coupling packet
K-KOPPELPAKET SCHMA	Coupling packet
K-VERSCHLEI-SATZ	Set of wearing parts