

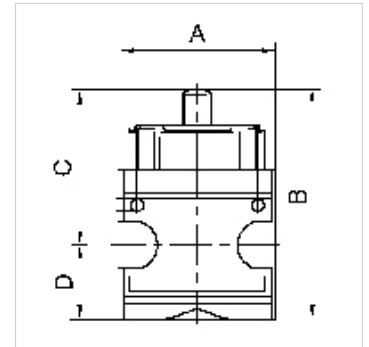
K-3/2-BKR MULTIFIX

Ball valves

HANSA FLEX

Karakteristike

Ulazni tlak	Max. 16 bar
Temperatura medija	max. 60 °C
Okolna temperatura	Max. 60 °C
Aktiviranje	Twist knob, rotatable 90°
Odzračni priključak	Silencer G 1/4 (K-07251158, K-07251159), G 1/2 (K-07251160, K-07251161, K-07251950)
Brtveni materijal	NBR
Kućište	Die-cast zinc, Aluminium for G 1 variant
Mjerenje vrijednosti protoka	At P1 = 6 bar and pressure drop $\Delta p = 1$ bar



Napomena

Drugi podatci na zahtjev.

Opis

Rotary switch can be turned 90°, lockable, with relief port

Artikli

Naziv	Navoj	Protok (L/min)	A (mm)	B	C (mm)	D (mm)	Veličina
K- 07 25 11 58	G 1/4	2800	47,8	81,4 mm	55,4	26,0	1
K- 07 25 11 59	G 3/8	2800	47,8	81,4 mm	55,4	26,0	1
K- 07 25 11 60	G 1/2	11000	68,8	102,6 mm	69,1	33,5	2
K- 07 25 11 61	G 3/4	11000	68,8	102,6 mm	69,1	33,5	2
K- 07 25 19 50	G 1	25000	82,8	133,5 mm	83,0	50,5	3

Pribor

K-SCHALLDAE SINTERBR GE MS1 Silencers, sintered bronze, with brass hexagon nut and brass thread

Rezervni dijelovi

K-KOPPELPAKET MEHR	Coupling packet
K-KOPPELPAKET SCHMA	Coupling packet
K-HALTERBAUSATZ MULTIFIX	Holder