

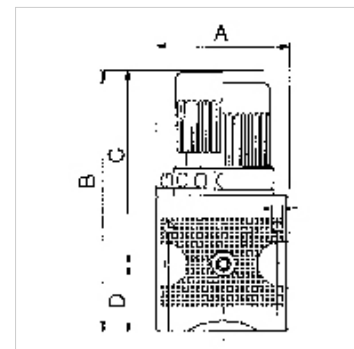
# K-PRAEZI DRUCKREGLER MULTIFIX

Precision pressure regulators

**HANSA FLEX**

## Karakteristike

Ulazni tlak	Max. 16 bar
Temperatura medija	max. 60 °C
Okolna temperatura	Max. 60 °C
Brtnveni materijal	NBR
Pokrov s oprugom	POM-brass
Kućište	Die-cast zinc
Vlastita potrošnja zraka	2.6 l/min, depending on secondary pressure
Mjerenje vrijednosti protoka	At P1 = 8 bar, P2 = 6 bar and pressure drop $\Delta p = 1$ bar



## Napomena

Drugi podatci na zahtjev.

## Opis

Diaphragm pressure regulators, independent of inlet pressure, with self-relieving design and very high flow rate. The pressure setting can be locked by pushing the button down.

## Napomene uz narudžbu

Lockable precision pressure regulators available on request

## Artikli

Naziv	Navoj	Regulacijsko područje	Protok (L/min)	A (mm)	B	C (mm)	D (mm)	DN	Veličina
K- 07 25 00 37	G 1/4	0.1 - 3 bar	1500	47,8	94,8 mm	67,0	27,8	6	1
K- 07 25 00 38	G 1/4	0.2 - 6 bar	1500	47,8	94,8 mm	67,0	27,8	6	1
K- 07 25 00 36	G 1/4	0.5 - 10 bar	1500	47,8	94,8 mm	67,0	27,8	6	1
K- 07 25 00 40	G 1/2	0.1 - 3 bar	6000	68,8	134,1 mm	99,0	35,1	15	2
K- 07 25 00 41	G 1/2	0.2 - 6 bar	6000	68,8	134,1 mm	99,0	35,1	15	2
K- 07 25 00 39	G 1/2	0.5 - 10 bar	6000	68,8	134,1 mm	99,0	35,1	15	2

## Rezervni dijelovi

K-HALTERBAUSATZ	Holder
K-SCHALTAFELMUTTER	Nut
K-HALTERBAUSATZ MULTIFIX	Holder
K-KOPPELPAKET MEHR	Coupling packet
K-KOPPELPAKET SCHMA	Coupling packet
K-VERSCHLEI-SATZ	Set of wearing parts