

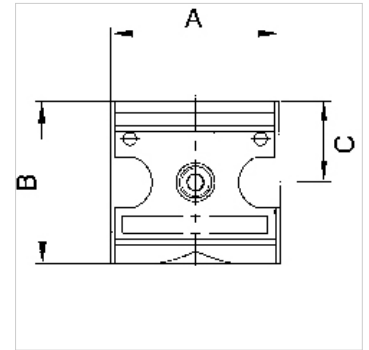
# K-VT SCHMAL MULTIFIX

Manifolds - narrow design

**HANSA FLEX**

## Karakteristike

Ulazni tlak	Max. 16 bar
Temperatura medija	max. 60 °C
Okolna temperatura	Max. 60 °C
Brtveni materijal	NBR
Kućište	Die-cast zinc
Mjerenje vrijednosti protoka	At P1 = 6 bar and pressure drop $\Delta p = 1$ bar



## Napomena

Flow rate l/min at P → A  
Drugi podatci na zahtjev.

## Opis

Wide or narrow, four-way manifolds.

## Artikl

Naziv	Outlets	Navoj	Protok (L/min)	A (mm)	B	C (mm)
K- 07 25 11 82	3 x 1/4, 1 x 1/8	G 1/4	3300	34,8	52,0 mm	26,0
K- 07 25 11 83	1 x 3/8, 2 x 1/4, 1 x 1/8	G 1/2	11000	38,8	67,0 mm	33,5

## Pribor

K-DRS WECHSELKONTAK ANFLANSCHBAR DS	Pressure switches, changeover type, suitable for flange mounting K-07302861
K-ZUBEH HANSA	Accessories for pressure switch HANSA

## Rezervni dijelovi

K-KOPPELPAKET MEHR	Coupling packet
K-KOPPELPAKET SCHMA	Coupling packet